

PRODUCT SHEET



TROUGH HEIGHT	601 MM
ROOF HEIGHT	1430 MM
ROOF WIDTH	2400 MM
OVERALL HEIGHT	1831 MM

**PRODUCT CODE:
KDLF650ST**

650L DRY LICK FEEDER

FEATURES

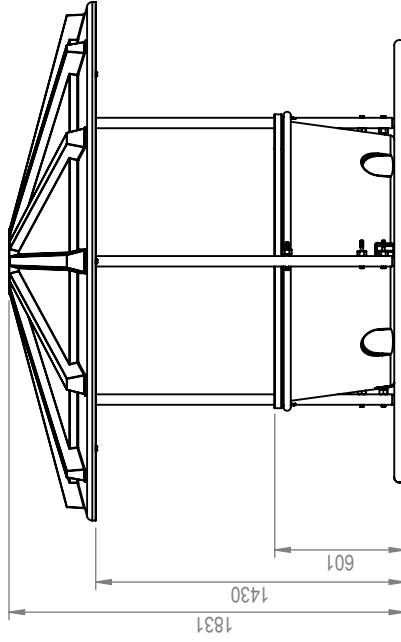
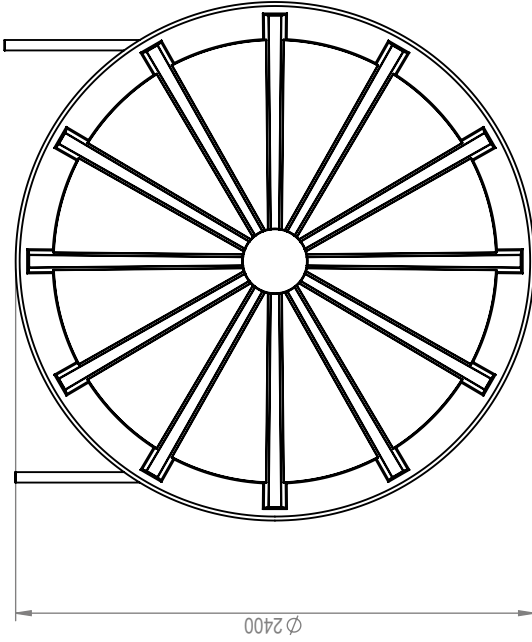
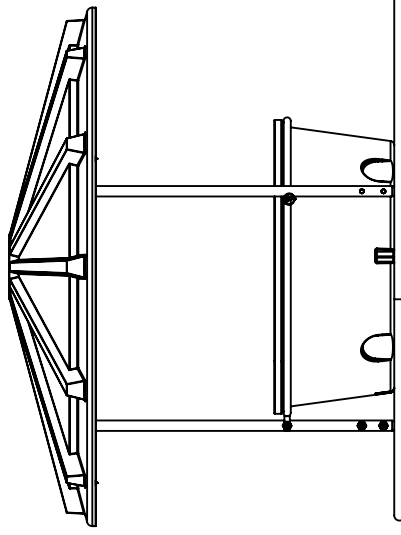
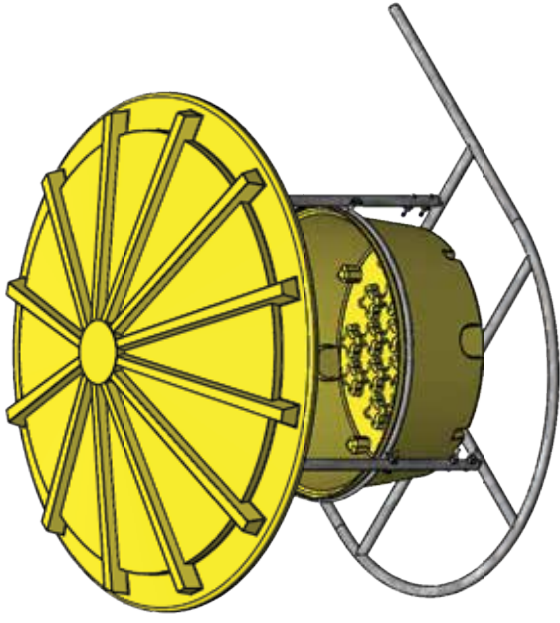
- Roof and trough are made with UV stabilised Australian Standard, BPA & Heavy Metal Free, Food Grade Material
- Collapsible frame design
- Tow-able frame for short distances (suitable ground, when empty only)
- Galvanised steel frame
- 650L trough capacity (option of flat floor trough or patented safety tread trough)
- Roof and Trough can be purchased individually

COLOURS AVAILABLE



Yellow

NB: Colours may vary due to screen and printer calibrations.



Details

Manufacturer's Name	Nu-Tank Pty Ltd
Tank Capacity	650 Litres
Maximum Specific Gravity	1.0
Maximum Design Service Temperature	23°C
Standard	AS/NZS 4766



PRODUCT CODE:

KDLF660ST

DESCRIPTION:

650L DRY LICK FEEDER