

**PRODUCT SHEET**

VIEW THIS  
 PRODUCT  
 ONLINE



LENGTH	2250MM
WIDTH	1684MM
HEIGHT	2095MM

*All dimensions may vary ± 3% due to rotational moulding process.*



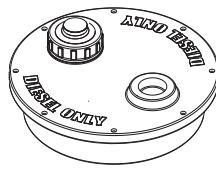
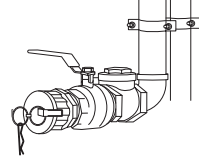
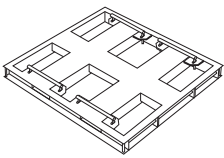
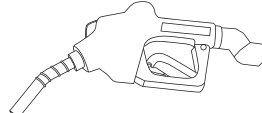
**PRODUCT CODE:  
 OFSDI3500FBB**

**3,500L ON FARM DIESEL TANK**

**FEATURES**

- Specific Gravity of 1.6
- Fully self supporting roof (no internal poles or frames)
- Tanks can be daisy chained for extra storage
- Manufactured from proven Australian standard materials (tested in the field for over 25years)
- Manufactured in computerised ovens (not open flame)
- Thicker walls at base (supports pressure)
- Poly fused and welded fittings (stops fitting split)

**FREE INCLUSIONS**

Vented Lid 	Truck Fill Point 
Heavy Duty Alloy Frame 	Bowser with Diesel Auto Shut-Off Nozzle 

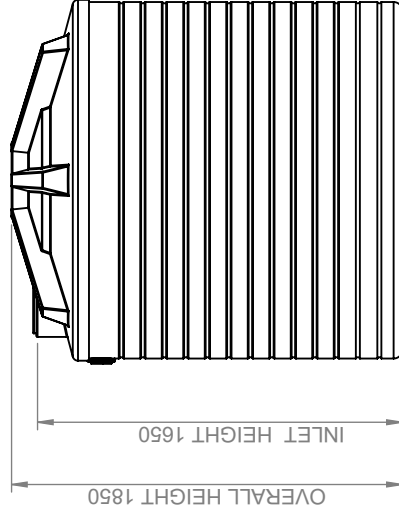
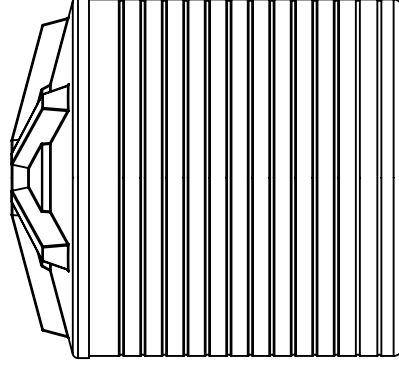
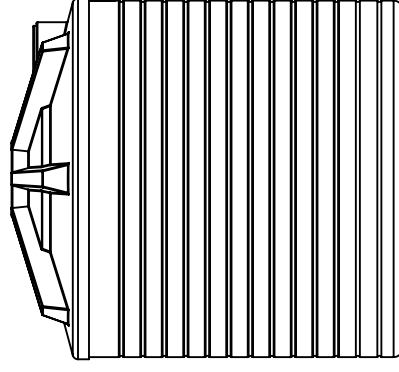
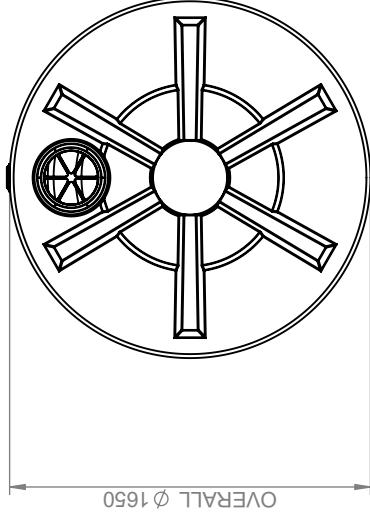
\*Inclusions may change without notice, check with sales prior to ordering

**COLOURS AVAILABLE**



Grey

NB: Colours may vary due to screen and printer calibrations.



### Details

Manufacturer's Name	Nu-Tank Pty Ltd
Tank Capacity	3500 Litre
Specific Gravity	1.6
Maximum Design Service Temperature	23°C
Standard	AS/NZS 4766

All dimensions may vary ± 3% due to rotational moulding process.



PRODUCT CODE:

0FSDI3500FBB

DESCRIPTION

3 500 LITRE ON FARM DIESEL TANK