

PRODUCT SHEET

VIEW THIS
PRODUCT
ONLINE



LENGTH	1450MM
WIDTH	1255MM
HEIGHT	1020MM

All dimensions may vary \pm 3% due to rotational moulding process.



**PRODUCT CODE:
PMDI1000**

1,000L DIESEL TRANSFER UNIT

FEATURES

- Fork points for ease of handling when empty
- Heavy duty Diesel grade tank (material complies with AS1940-2017 and AS2809.2-2020)
- Fully baffled for braking, stability and overall safety when in use
- Earth strap to prevent anti-static build up when filling or dispensing
- Piusi 12V 45L/MIN pump with 4m hose and leads

FREE INCLUSIONS

Baffle Balls	Auto shut-off swivel nozzle
4m Electrical Cable with battery clips	Splash resistant breather

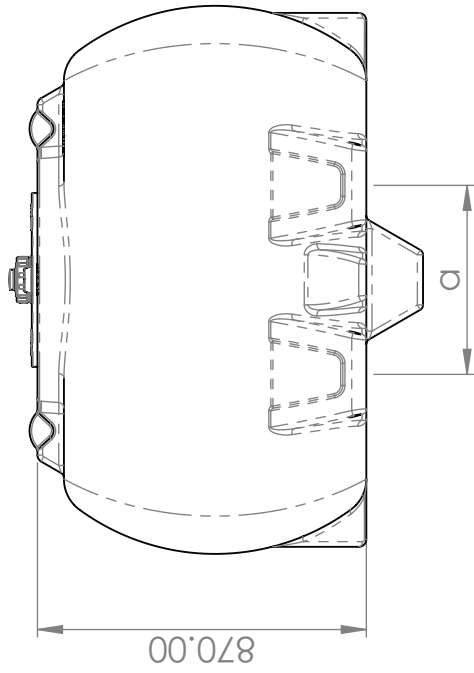
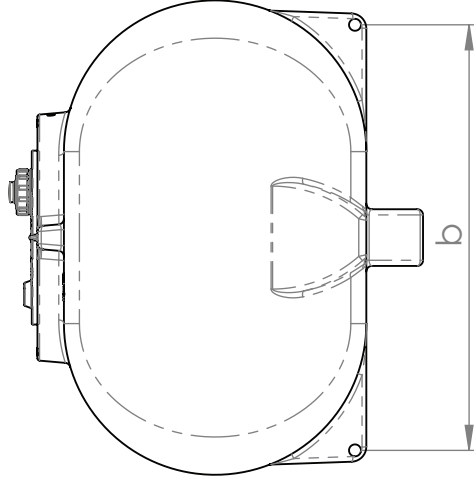
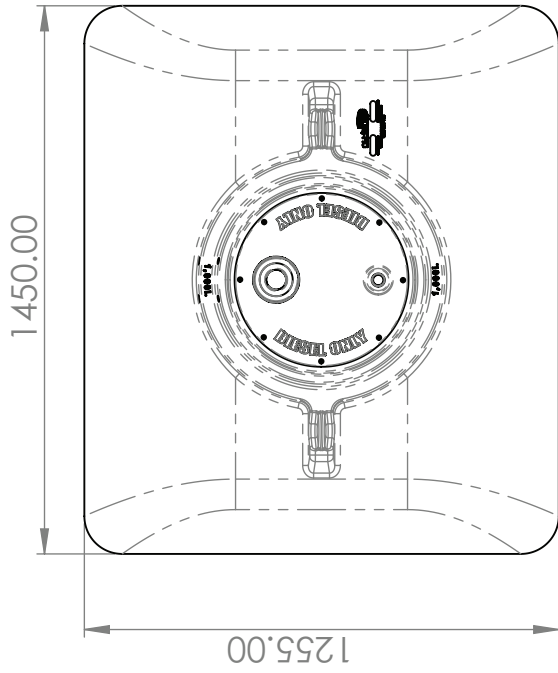
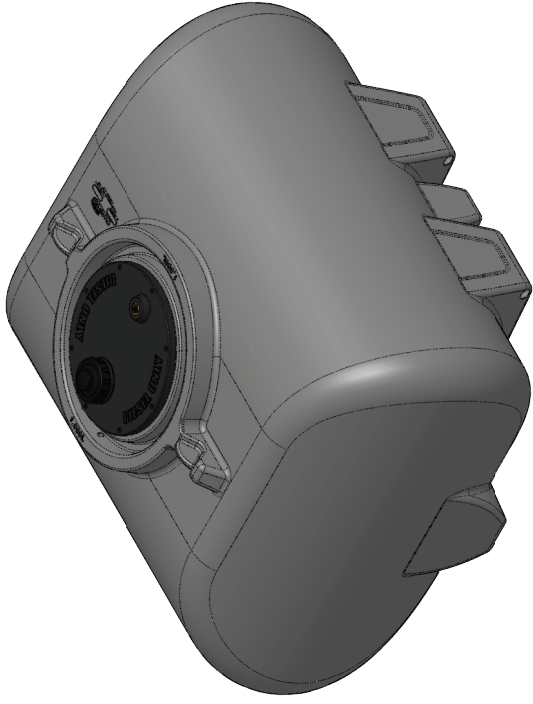
*Inclusions may change without notice, check with sales prior to ordering

COLOURS AVAILABLE



Grey

NB: Colours may vary due to screen and printer calibrations.



Details

Manufacturer's Name	Nu-Tank Pty Ltd
Tank Capacity	1000 Litre
Specific Gravity	1.6
Maximum Design Service Temperature	23°C
Standard	AS/NZS 4766

Leg Pitch (a)	500MM
Foot Pin Pitch (c)	1125MM



PRODUCT CODE:

PMDI1000

DESCRIPTION

1,000 LITRE DIESEL TRANSFER UNIT

All dimensions may vary ± 3% due to rotational moulding process.