

PRODUCT SHEET

VIEW THIS
PRODUCT
ONLINE



LENGTH	1720MM
WIDTH	1330MM
HEIGHT	970MM

All dimensions may vary \pm 3% due to rotational moulding process.

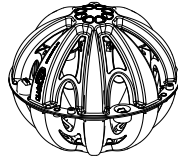
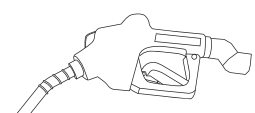
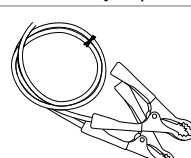
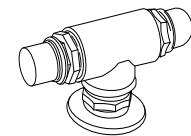
**PRODUCT CODE:
PMDI1200**

1,200L DIESEL TRANSFER UNIT

FEATURES

- Fork points for ease of handling when empty
- Heavy duty Diesel grade tank (material complies with AS1940-2017 and AS2809.2-2020)
- Fully baffled for braking, stability and overall safety when in use
- Earth strap to prevent anti-static build up when filling or dispensing
- High quality European 12V 45L/MIN pump with 4m hose and leads

FREE INCLUSIONS

Baffle Balls	Auto shut-off swivel nozzle
	
4m Electrical Cable with battery clips	Splash resistant breather
	

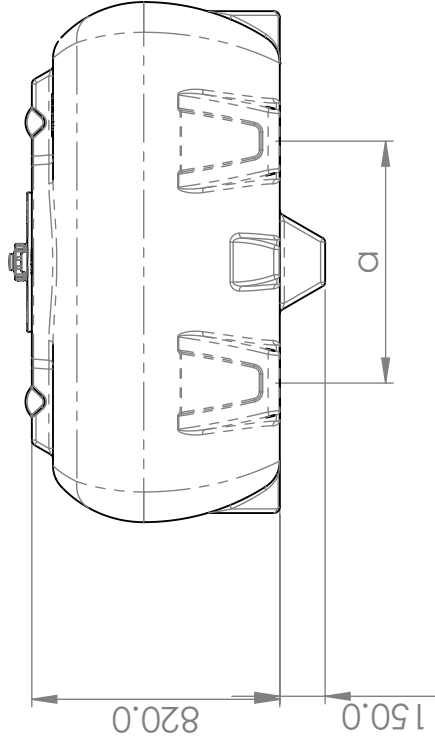
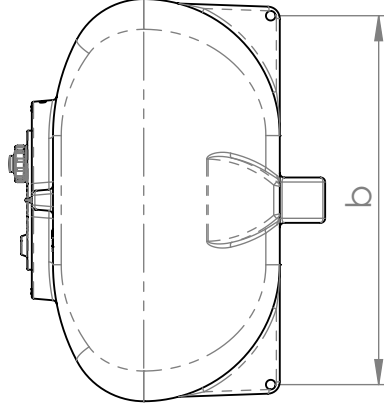
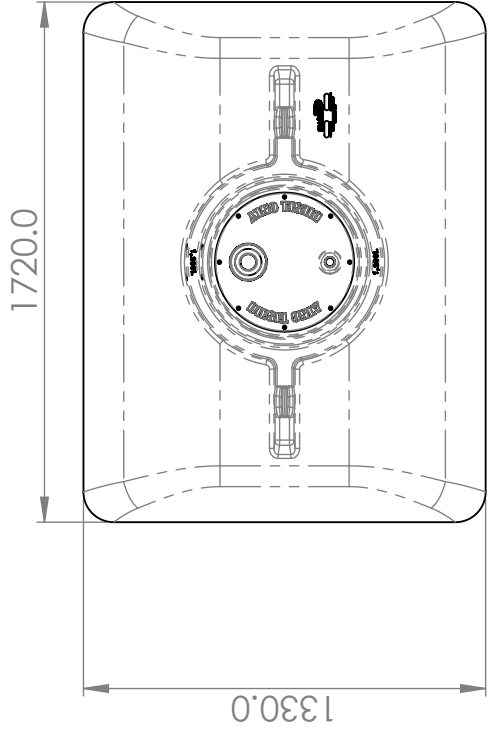
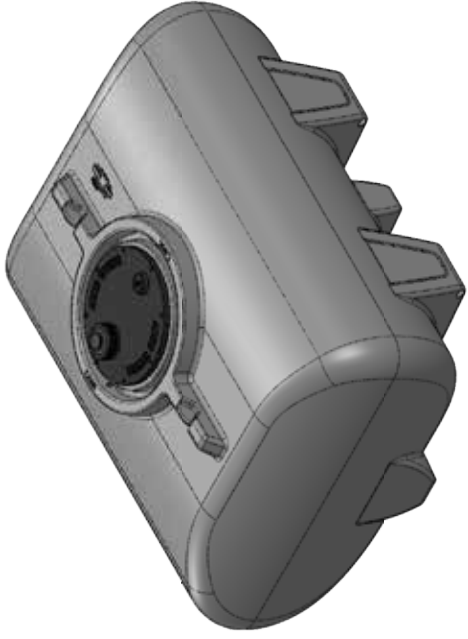
*Inclusions may change without notice, check with sales prior to ordering

COLOURS AVAILABLE



Grey

NB: Colours may vary due to screen and printer calibrations.



PRODUCT CODE:

PMDI1200

DESCRIPTION

1,200 LITRE DIESEL TRANSFER UNIT

Details

Leg Pitch (a)	800MM
Foot Pin Pitch (c)	1220MM

Manufacturer's Name	Nu-Tank Pty Ltd
Tank Capacity	1200 Litre
Specific Gravity	1.6
Maximum Design Service Temperature	23°C
Standard	AS/NZS 4766

All dimensions may vary ± 3% due to rotational moulding process.