

## PRODUCT SHEET



LENGTH	2400 MM
WIDTH	600 MM
HEIGHT	400 MM
OVERALL HEIGHT	560MM

**PRODUCT CODE:  
POLNCL400**

## 400L CENTRELINE TROUGH

### FEATURES

- Water available to livestock on both sides of fence
- Float in the middle
- 1" float valve
- Raised float cover (allows trough to fill easily)
- Heavy duty construction (built to last)
- Manufactured from proven UV stabilised Australian standard material (tested in the field for over 25 years)
- Smooth internal surface for easy cleaning
- Designed for easy transportation and use

### FREE INCLUSIONS

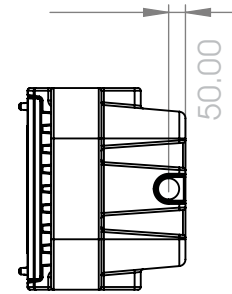
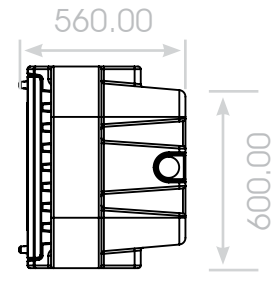
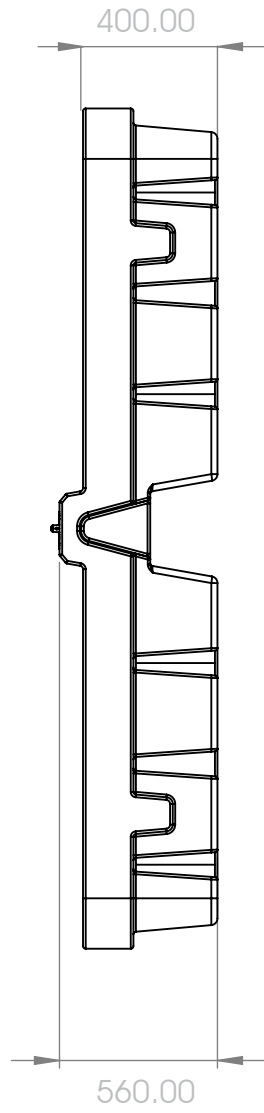
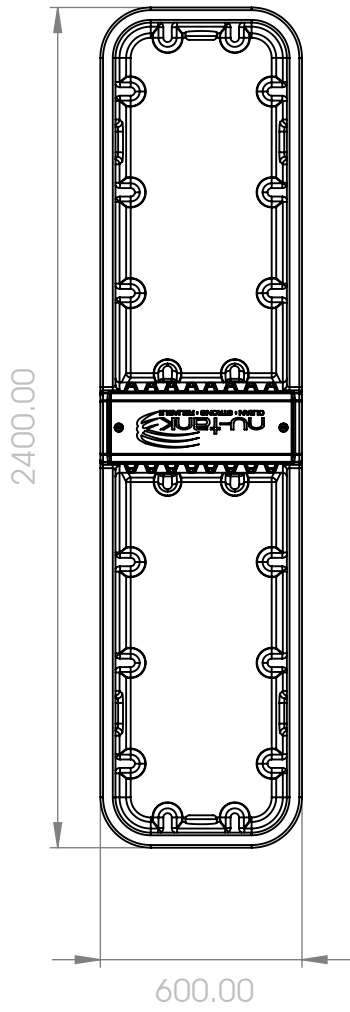
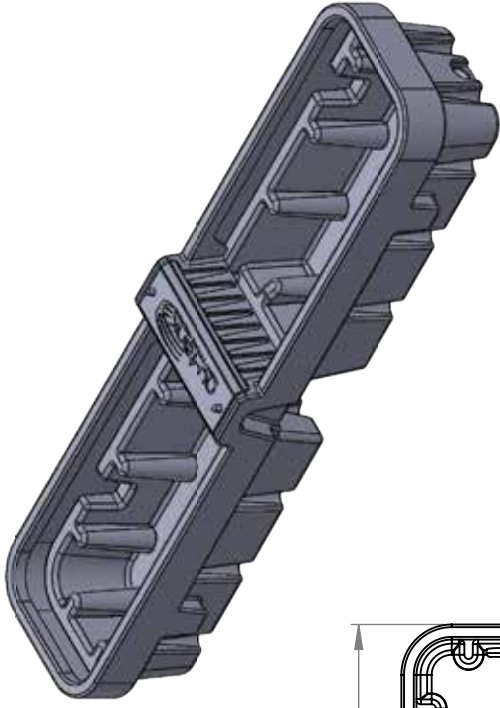
<p>Float Cover</p>	<p>2" Drain Bung</p>
<p>Moulded-in 2" Brass Outlet</p>	<p>1" Float Valve</p>

\*Inclusions may change without notice, check with sales prior to ordering

### COLOURS AVAILABLE



NB: Colours may vary due to screen and printer calibrations.



**Details**

Manufacturer's Name	NU-Tank Pty Ltd
Tank Capacity	400 Litres
Maximum Specific Gravity	1.0
Maximum Design Service Temperature	23°C
Standard	AS/NZS 4766



**PRODUCT CODE:**

POLNCL400

**DESCRIPTION:**

400L LONG CENTRELINE TROUGH