

## PRODUCT SHEET



DIAMETER	1850 MM
HEIGHT	580 MM
OVERALL HEIGHT	779 MM

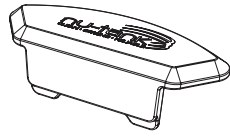
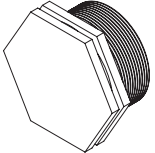
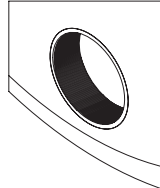
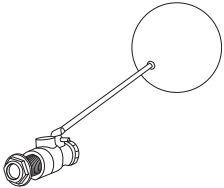
**PRODUCT CODE:  
PORNWA1200**

## 1,200L ROUND WATER TROUGH

### FEATURES

- Low pressure float valve and large 3" drain
- Float cover extends to base of trough (stops tampering when filling)
- Unique anti-crack lip design
- Raised float cover allows trough to fill
- Heavy duty construction (won't crack or perish)
- Manufactured from virgin grade materials - NOT recycled
- Smooth internal surface for easy cleaning
- Stackable for transport and storage
- Easily relocatable

### FREE INCLUSIONS

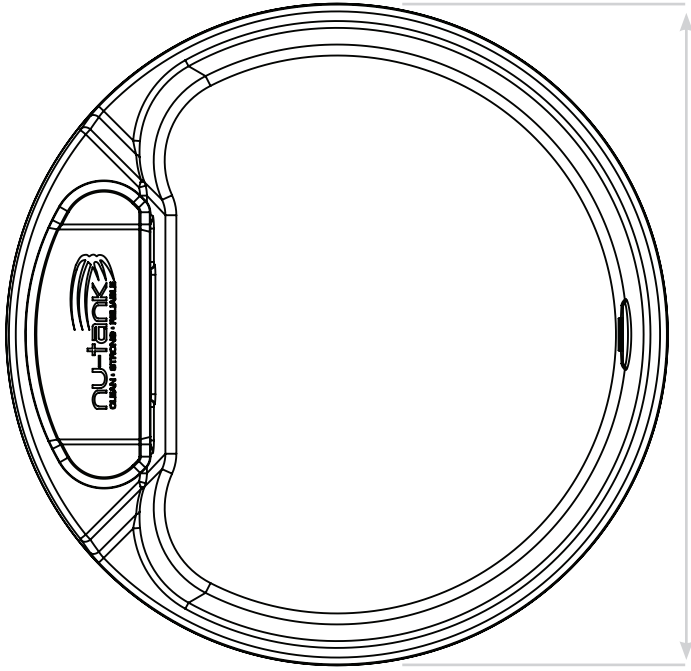
<p>Float Cover</p> 	<p>3" Drain Bung</p> 
<p>Moulded-in 3" Brass Outlet</p> 	<p>2" Low Pressure Float Kit</p> 

\*Inclusions may change without notice, check with sales prior to ordering

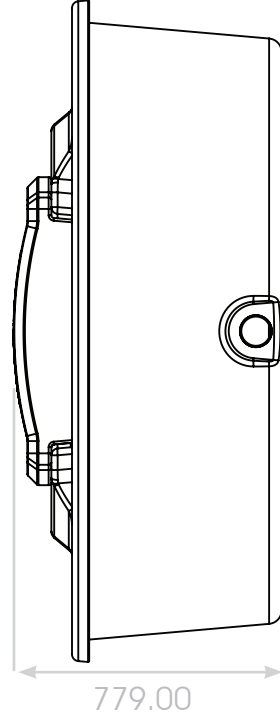
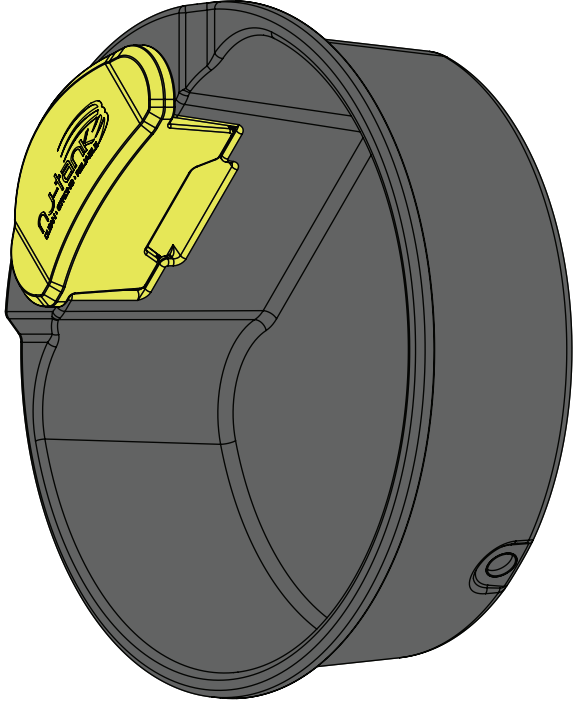
### COLOURS AVAILABLE



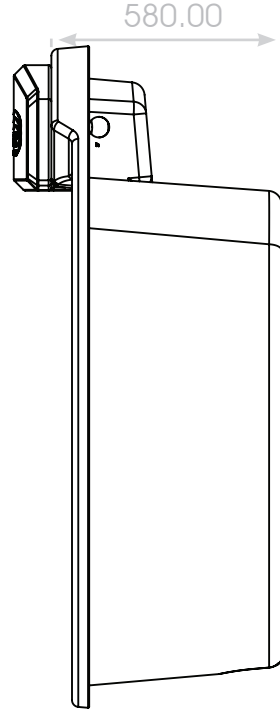
NB: Colours may vary due to screen and printer calibrations.



1850.00



779.00



580.00

### Details

Manufacturer's Name	Nu-Tank Pty Ltd
Tank Capacity	1200L
Maximum Specific Gravity	1.0
Maximum Design Service Temperature	23° c
Standard	AS/NZS4766



PRODUCT CODE:

PORNWA1200

DESCRIPTION

1200L ROUND WATER TROUGH