

PRODUCT SHEET



DIAMETER	1435 MM
HEIGHT	560 MM
OVERALL HEIGHT	699 MM

**PRODUCT CODE:
 PORNWA600**

600L ROUND WATER TROUGH

FEATURES

- Low pressure float valve and large 3" drain
- Float cover extends to base of trough (stops tampering when filling)
- Unique anti-crack lip design
- Raised float cover allows trough to fill
- Heavy duty construction (won't crack or perish)
- Manufactured from virgin grade materials - NOT recycled
- Smooth internal surface for easy cleaning
- Stackable for transport and storage
- Easily relocatable

FREE INCLUSIONS

<p>Float Cover</p>	<p>3" Drain Bung</p>
<p>Moulded-in 3" Brass Outlet</p>	<p>2" Low Pressure Float Kit</p>

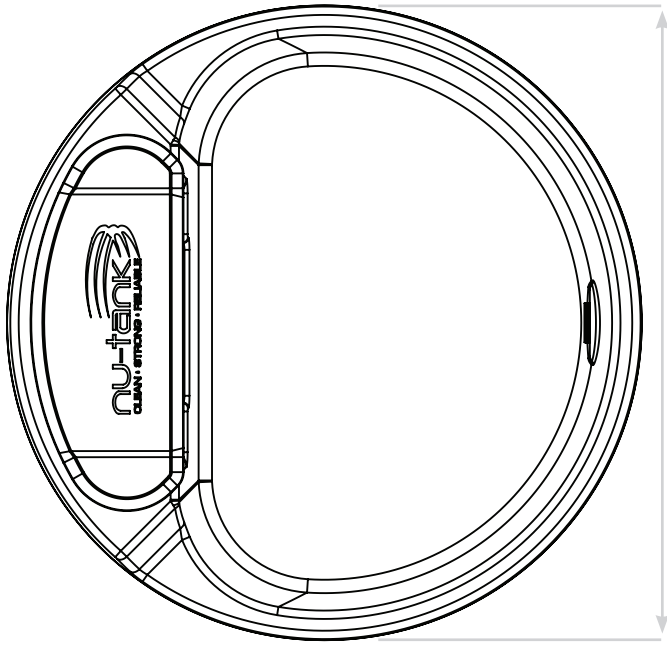
*Inclusions may change without notice, check with sales prior to ordering

COLOURS AVAILABLE

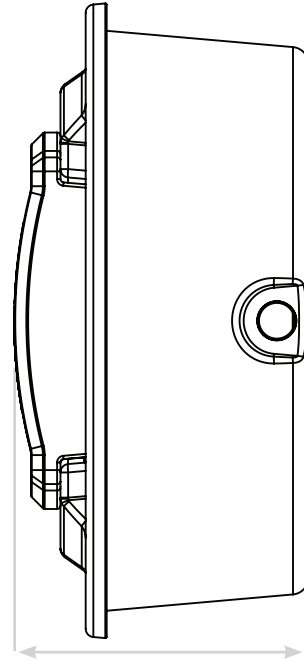
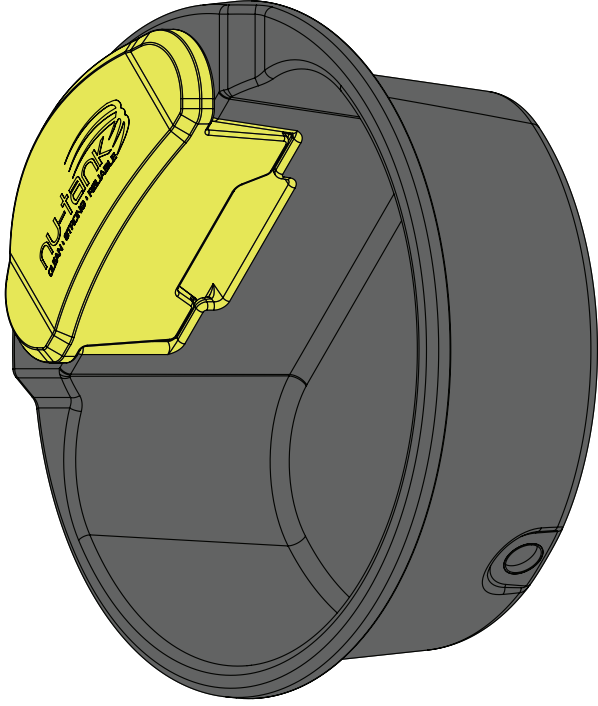


Slate Grey Trough Yellow Float Cover

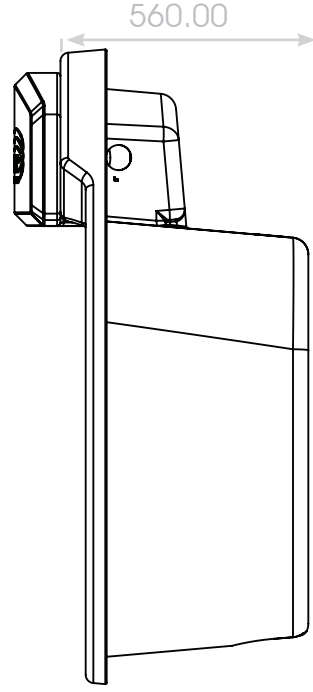
NB: Colours may vary due to screen and printer calibrations.



1435.00



699.00



560.00

Details

Manufacturer's Name	Nu-Tank Pty Ltd
Tank Capacity	600L
Maximum Specific Gravity	1.0
Maximum Design Service Temperature	23° c
Standard	AS/NZS4766



PRODUCT CODE:

PORNWA600

DESCRIPTION

600L ROUND WATER TROUGH