

PRODUCT SHEET

VIEW THIS
PRODUCT
ONLINE



LENGTH	3600MM
WIDTH	2100MM
HEIGHT	1775MM

All dimensions may vary \pm 3% due to rotational moulding process.



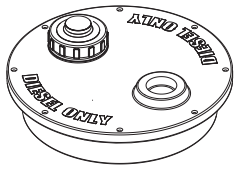
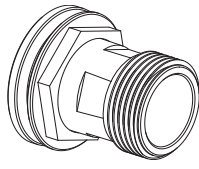
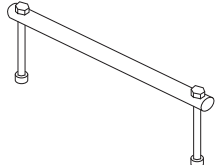
PRODUCT CODE:
PTCTDI10000

10,000L DIESEL TRANSPORT TANK

FEATURES

- Cast diesel lid with lockable inlet mesh filter, 4m earth strap and breather
- Heavy duty construction (built to last)
- Manufactured from UV stabilised virgin grade materials (not recycled)
- Secure mounting points in each leg
- 2 year warranty
- Tanks manufactured from Diesel grade material to AS 2809.2.2008
- Outlet fittings available in sizes 1", 1 1/2" or 2"

FREE INCLUSIONS

<p>Vented Lid</p> 	<p>3" Brass Outlet</p> 
<p>Galvanised Steel Mounting Pins</p> 	

*Inclusions may change without notice, check with sales prior to ordering


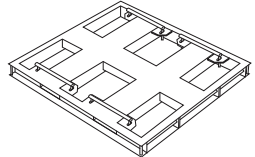
COLOURS AVAILABLE



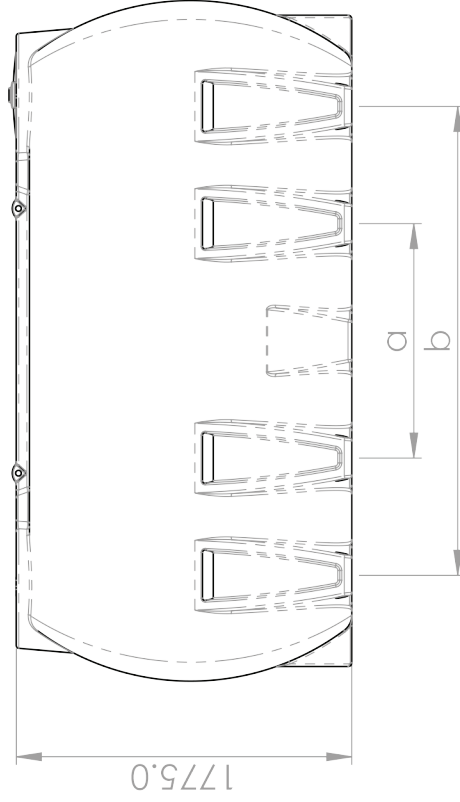
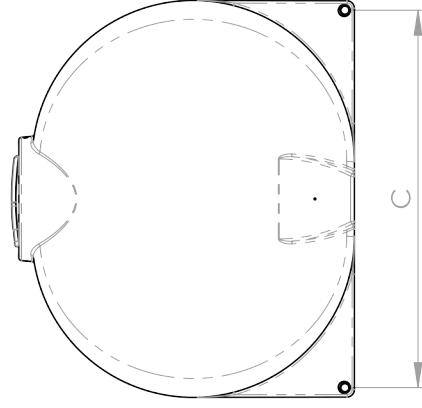
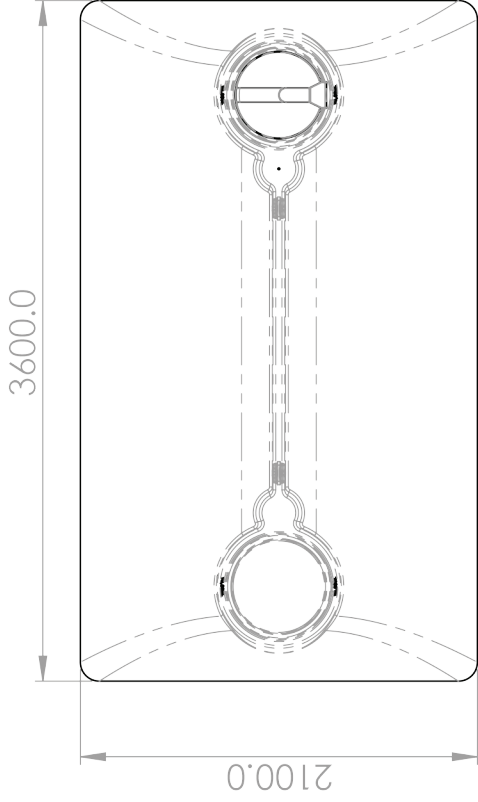
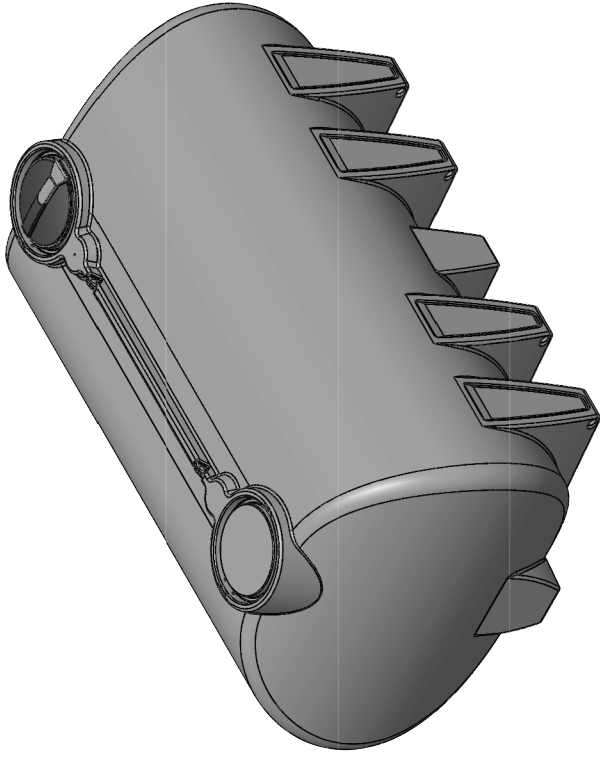
Grey

NB: Colours may vary due to screen and printer calibrations.

OPTIONAL EXTRAS

<p>Baffles</p> 	<p>Galvanised Painted Tank Frame</p> 
-----------------------------------------------------------------------------------------------------	----------------------------------------------------------------------------------------------------------------------------

*Various outlet types and sizes also available, please contact sales for a free quote



PRODUCT CODE:	PTCTDI10000
DESCRIPTION	10,000 LITRE DIESEL TRANSPORT TANK

Details

Manufacturer's Name	Nu-Tank Pty Ltd
Tank Capacity	10000 Litre
Specific Gravity	1.6
Maximum Design Service Temperature	23°C
Standard	AS/NZS 4766

Leg Pitch (a)	1250MM
Leg Pitch (b)	2480MM
Foot Pin Pitch (c)	2000MM

All dimensions may vary ± 3% due to rotational moulding process.