

PRODUCT SHEET



TANK	
LENGTH	3340 MM
WIDTH	2040 MM
HEIGHT	1670 MM

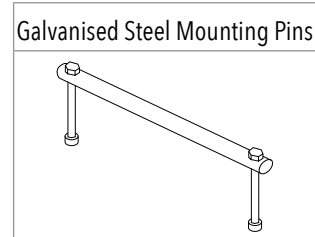
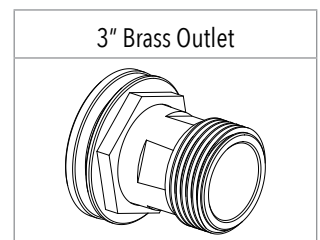
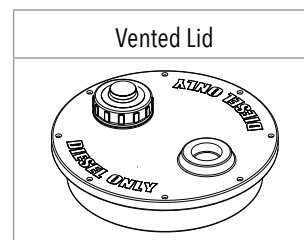
**PRODUCT CODE:
PTCTDI8000**

8,000L DIESEL TRANSPORT TANK

FEATURES

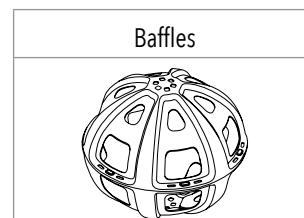
- Cast diesel lid with lockable inlet mesh filter, 4m earth strap and breather
- Heavy duty construction (built to last)
- Manufactured from UV stabilised virgin grade materials (not recycled)
- Secure mounting points in each leg
- 2 year warranty
- Tanks manufactured from Diesel grade material to AS 2809.2.2008
- Outlet fittings available in sizes 1", 1½" or 2"

FREE INCLUSIONS



*Inclusions may change without notice, check with sales prior to ordering.

OPTIONAL EXTRAS



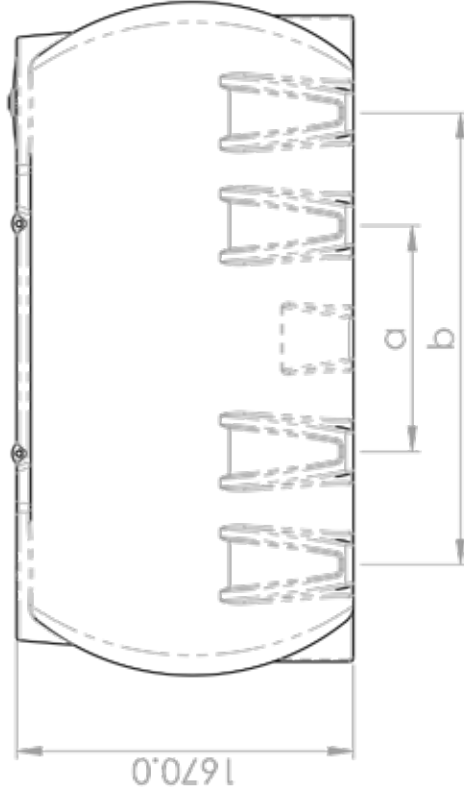
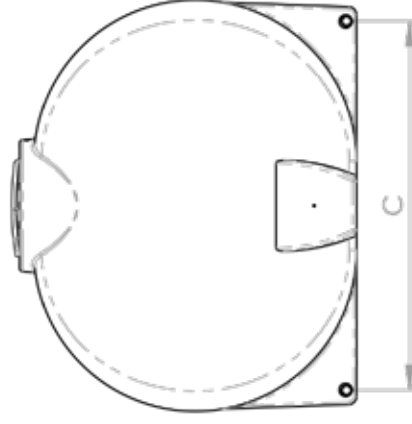
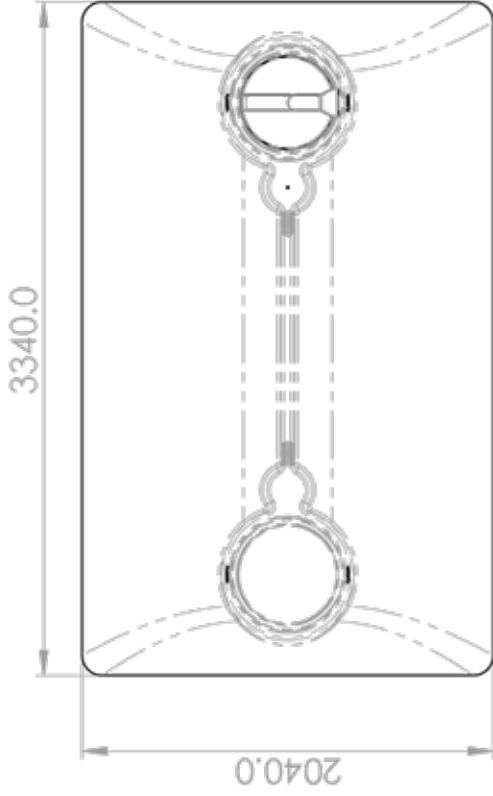
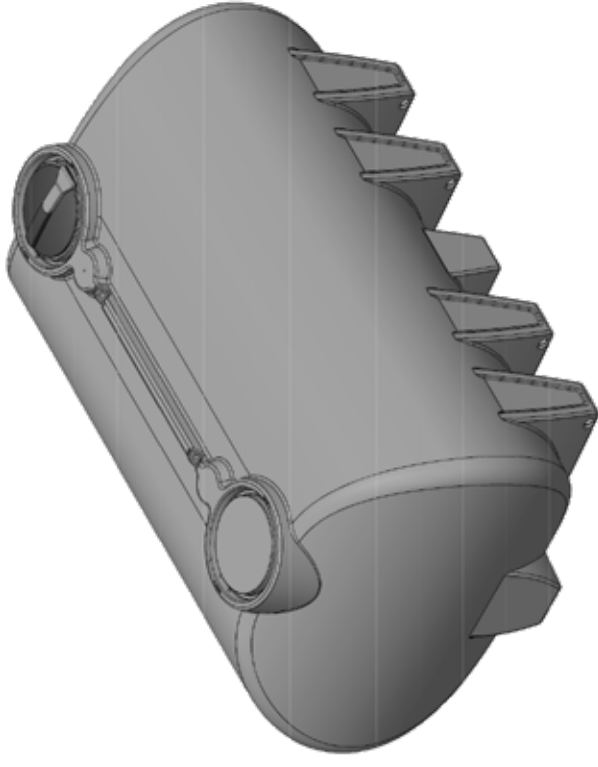
*Various outlet types and sizes also available, please contact sales for a free quote.

COLOURS AVAILABLE



Grey

NB: Colours may vary due to screen and printer calibrations.



Leg Pitch (a)	Leg Pitch (b)	Foot Pin Pitch (c)
1120 mm	2235 mm	1830 mm



PRODUCT CODE:

PTCTDI8000

DESCRIPTION:

8000 LITRE DIESEL CARTAGE TANK