

## PRODUCT SHEET



TANK	
LENGTH	4020 MM
WIDTH	2400 MM
HEIGHT	2100 MM

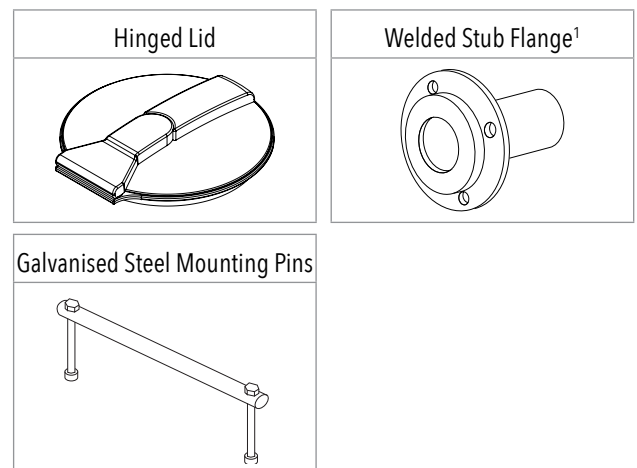
**PRODUCT CODE:  
PTCTFE15000**

## 15,000L LIQUID FERTILISER TRANSPORT TANK

### FEATURES

- Spill prevention shroud with 455mm hinged lid
- Heavy duty construction (built to last)
- Manufactured from UV stabilised virgin grade materials (not recycled)
- Secure mounting points in each leg
- Complies with relevant Australian Standards
- Australian Made - Australian Owned
- Specific Gravity 1.6 (SG2.0 Optional)

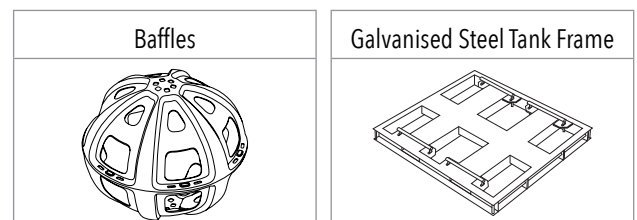
### FREE INCLUSIONS



<sup>1</sup> Welded Stub Flange sizes available in 3", 4" and 6"

\*Inclusions may change without notice, check with sales prior to ordering.

### OPTIONAL EXTRAS



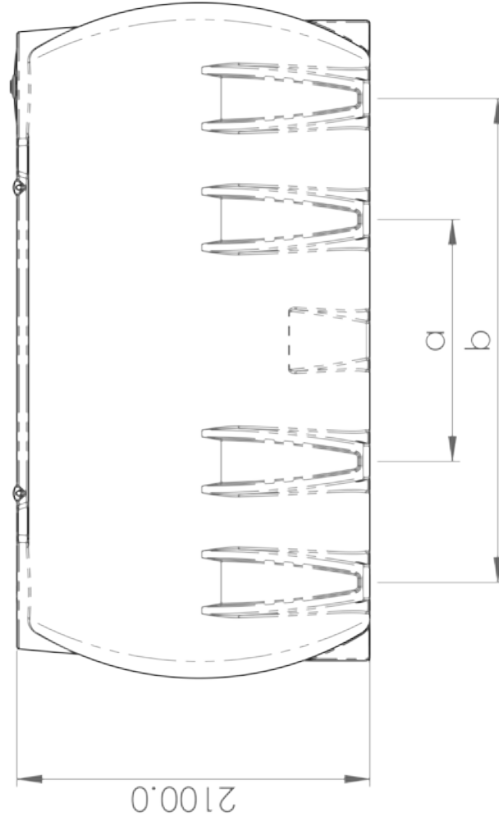
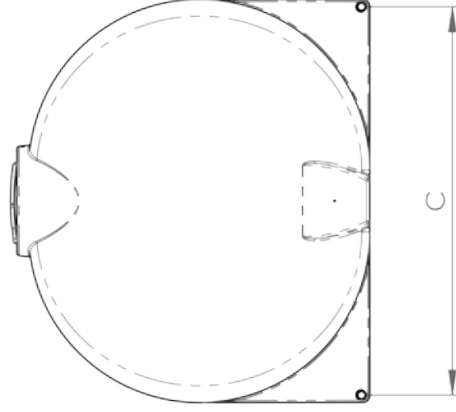
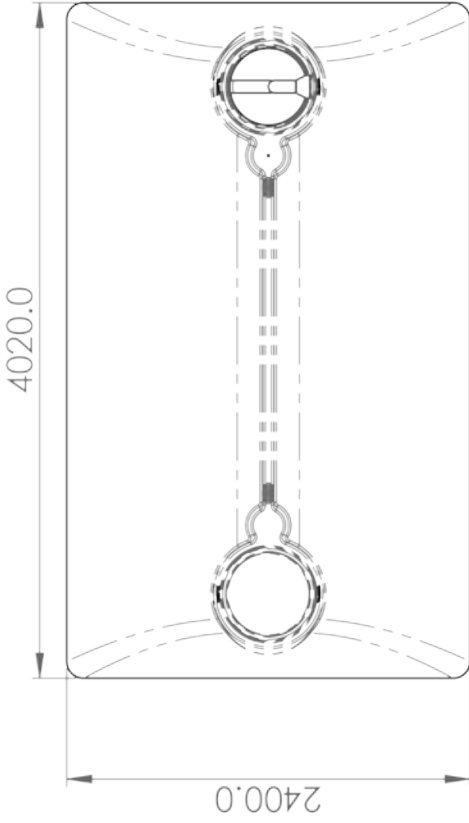
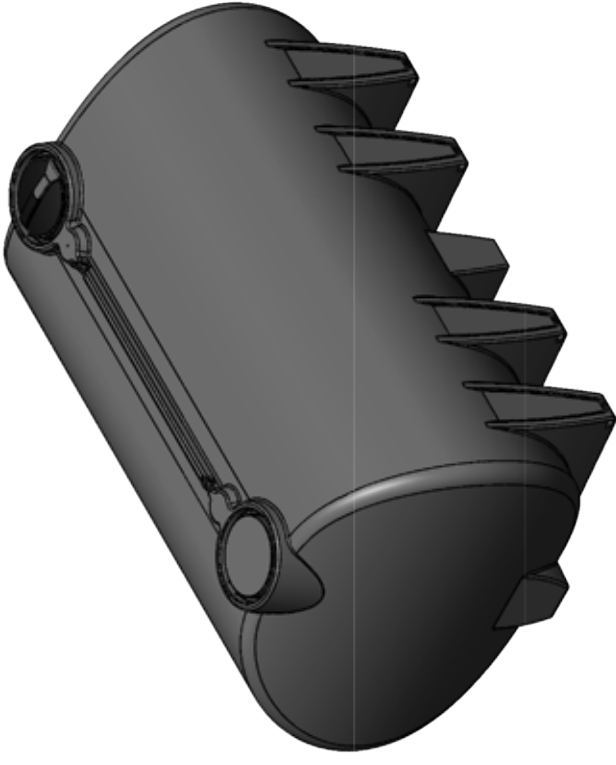
\*Various outlet types and sizes also available, please contact sales for a free quote.

### COLOURS AVAILABLE



Natural

NB: Colours may vary due to screen and printer calibrations.



Leg Pitch (a)	Leg Pitch (b)	Foot Pin Pitch (c)
1440 mm	2880 mm	2350 mm



PRODUCT CODE:

PTCTFE15000

DESCRIPTION:

15000 LITRE LIQUID FERTILISER TRANSPORT TANK