

PRODUCT SHEET

VIEW THIS
PRODUCT
ONLINE



LENGTH	5030MM
WIDTH	2380MM
HEIGHT	2060MM

All dimensions may vary \pm 3% due to rotational moulding process.

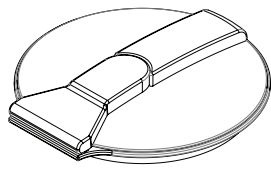
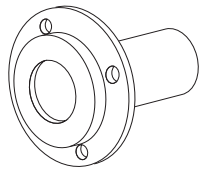
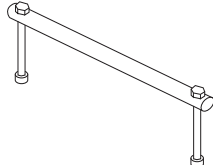
PRODUCT CODE:
PTCTFE18000

18,000L LIQUID FERTILISER TRANSPORT TANK

FEATURES

- Spill prevention shroud with 455mm hinged lid
- Heavy duty construction (built to last)
- Manufactured from UV stabilised virgin grade materials (not recycled)
- Secure mounting points in each leg
- Complies with relevant Australian Standards
- Australian Made - Australian Owned
- Specific Gravity 1.6 (SG2.0 Optional)


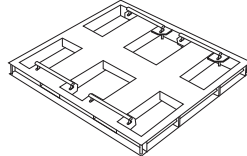
FREE INCLUSIONS

Hinged Lid	Welded Stub Flange ¹
	
Galvanised Steel Mounting Pins	
	

¹Welded Stub Flange sizes available in 3", 4" and 6"

*Inclusions may change without notice, check with sales prior to ordering

OPTIONAL EXTRAS

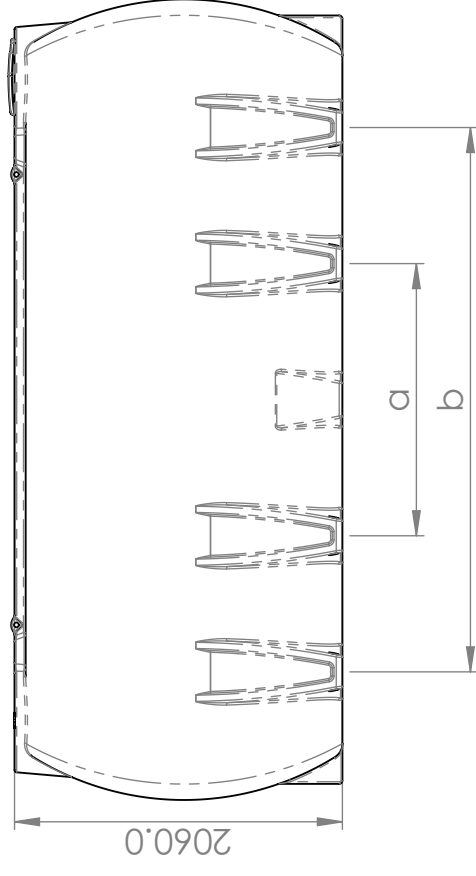
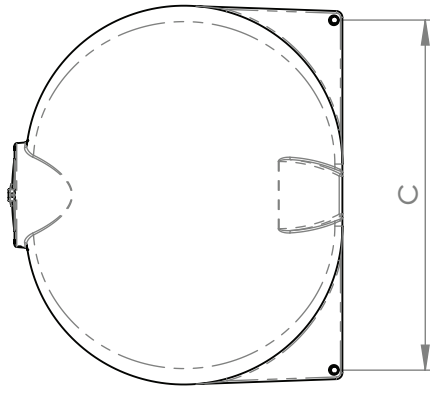
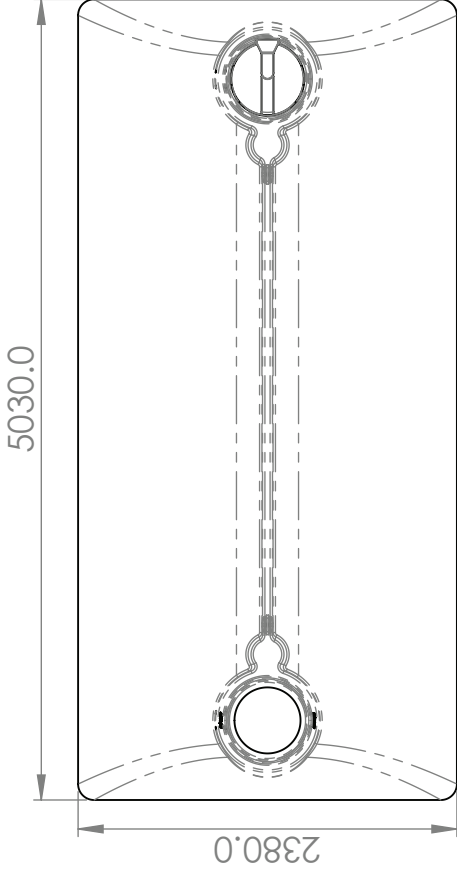
Baffles	Galvanised Painted Tank Frame
	

*Various outlet types and sizes also available, please contact sales for a free quote

COLOURS AVAILABLE

Natural

NB: Colours may vary due to screen and printer calibrations.



Details

Manufacturer's Name	Nu-Tank Pty Ltd
Tank Capacity	18000 Litre
Specific Gravity	1.6
Maximum Design Service Temperature	23°C
Standard	AS/NZS 4766

Leg Pitch (a)	1710MM
Leg Pitch (b)	3340MM
Foot Pin Pitch (c)	2200MM

All dimensions may vary ± 3% due to rotational moulding process.



PRODUCT CODE:

PTCTFE18000

DESCRIPTION

18,000 LITRE LIQUID FERTILISER TRANSPORT TANK