

PRODUCT SHEET



TANK	
LENGTH	1875 MM
WIDTH	1420 MM
HEIGHT	1100 MM

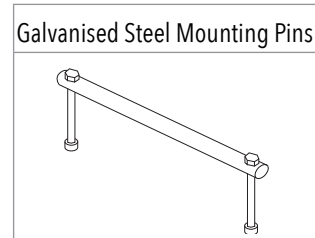
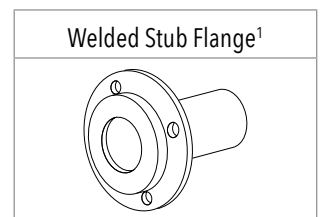
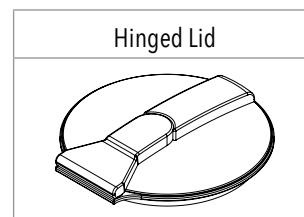
**PRODUCT CODE:  
PTCTFE2000**

**2,000L LIQUID FERTILISER TRANSPORT TANK**

**FEATURES**

- Spill prevention shroud with 455mm hinged lid
- Heavy duty construction (built to last)
- Manufactured from UV stabilised virgin grade materials (not recycled)
- Secure mounting points in each leg
- Complies with relevant Australian Standards
- Australian Made - Australian Owned
- Specific Gravity 1.6 (SG2.0 Optional)

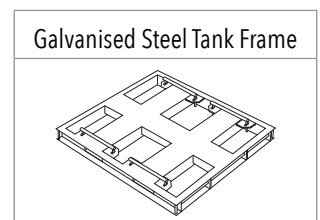
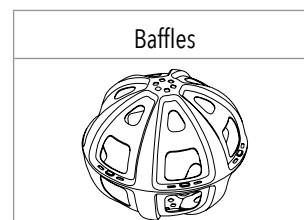
**FREE INCLUSIONS**



<sup>1</sup> Welded Stub Flange sizes available in 3", 4" and 6"

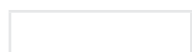
\*Inclusions may change without notice, check with sales prior to ordering.

**OPTIONAL EXTRAS**



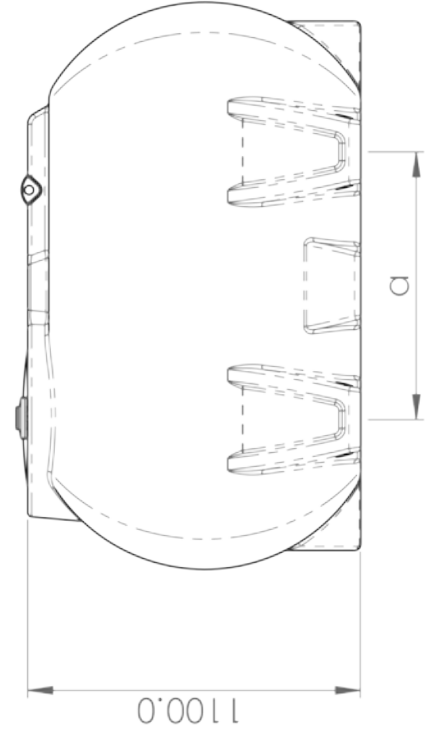
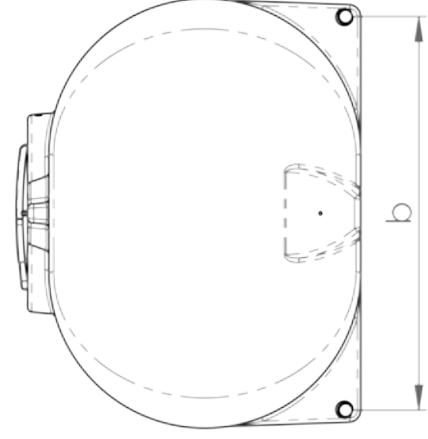
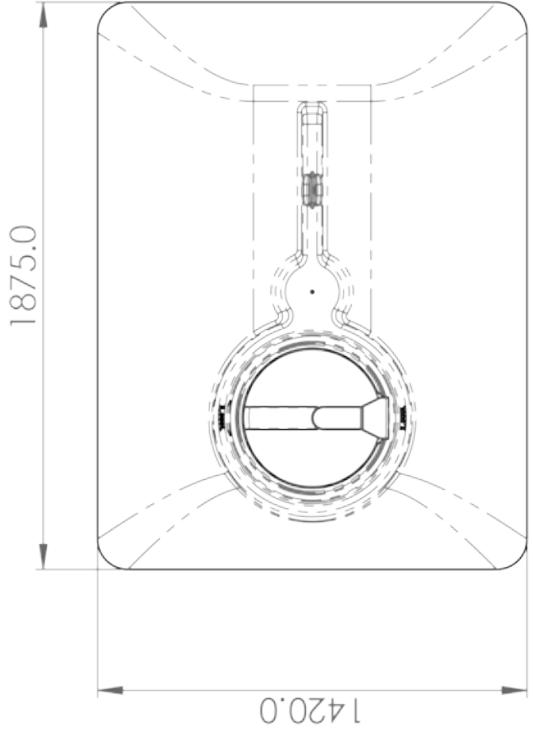
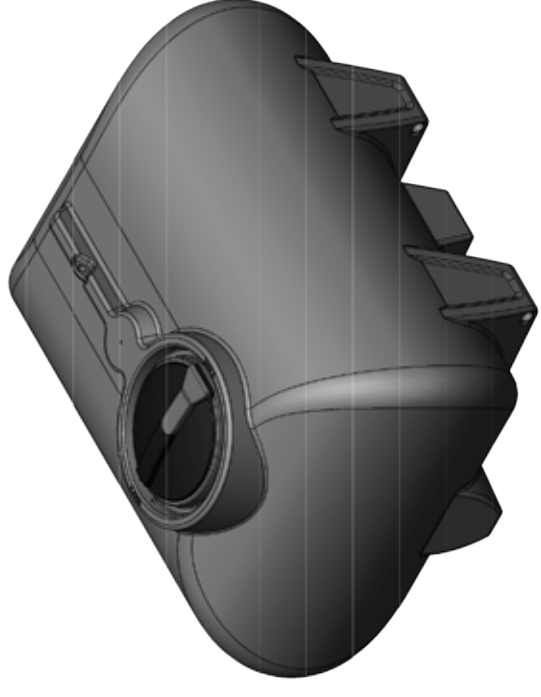
\*Various outlet types and sizes also available, please contact sales for a free quote.

**COLOURS AVAILABLE**



Natural

NB: Colours may vary due to screen and printer calibrations.



Leg Pitch (a)	Foot Pin Pitch (b)
885 mm	1302 mm



PRODUCT CODE: PTCTFE2000

DESCRIPTION: 2000 LITRE LIQUID FERTILISER TRANSPORT TANK