

PRODUCT SHEET



TANK	
LENGTH	2320 MM
WIDTH	1530 MM
HEIGHT	1250 MM

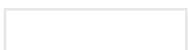
**PRODUCT CODE:
PTCTFE3000**

3,000L LIQUID FERTILISER TRANSPORT TANK

FEATURES

- Spill prevention shroud with 455mm hinged lid
- Heavy duty construction (built to last)
- Manufactured from UV stabilised virgin grade materials (not recycled)
- Secure mounting points in each leg
- Complies with relevant Australian Standards
- Australian Made - Australian Owned
- Specific Gravity 1.6 (SG2.0 Optional)

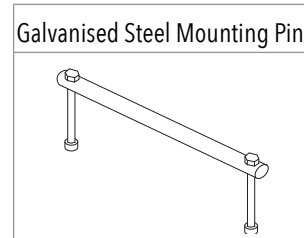
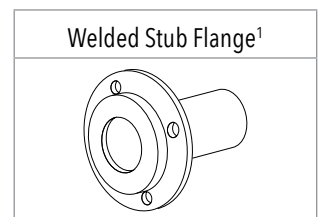
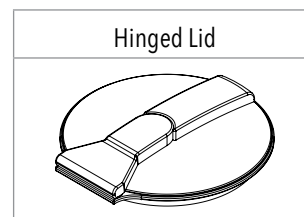
COLOURS AVAILABLE



Natural

NB: Colours may vary due to screen and printer calibrations.

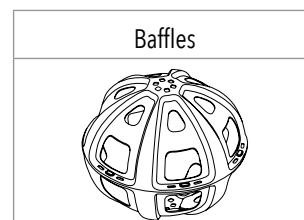
FREE INCLUSIONS



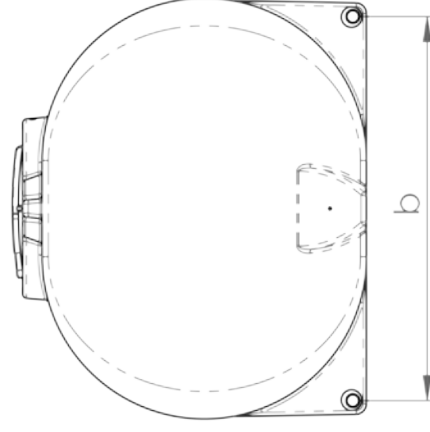
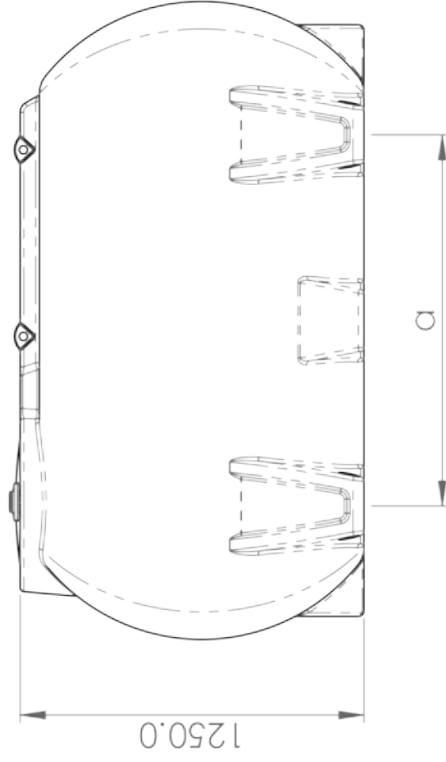
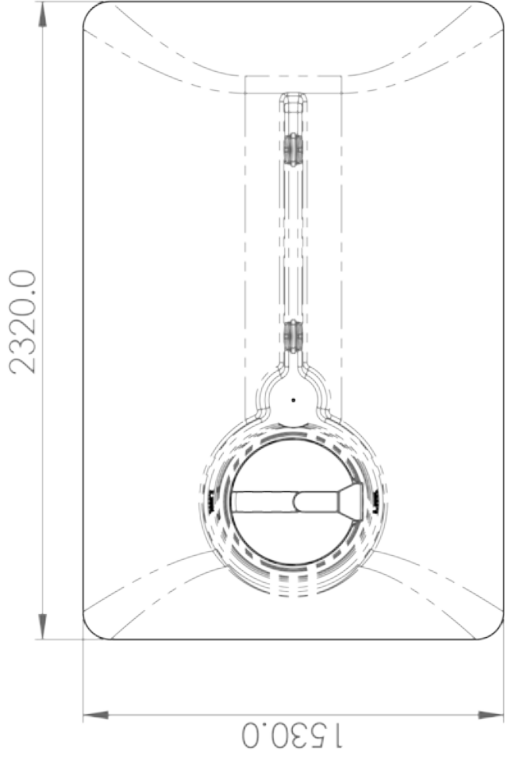
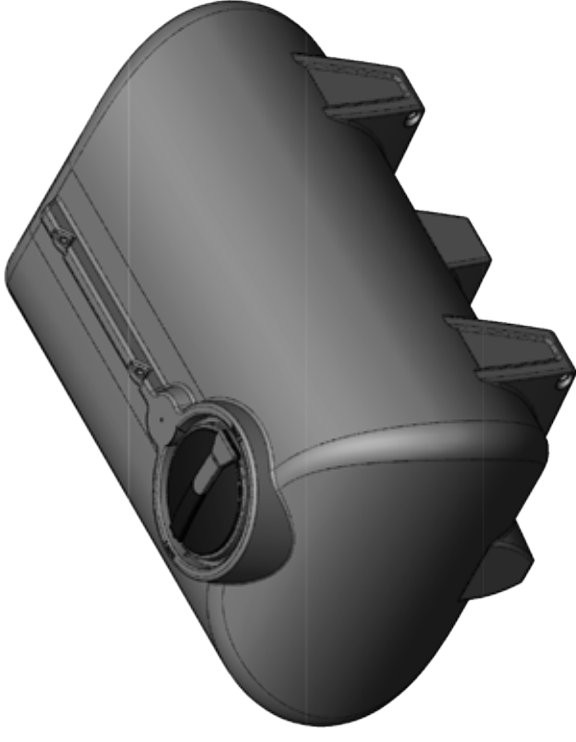
¹ Welded Stub Flange sizes available in 3", 4" and 6"

*Inclusions may change without notice, check with sales prior to ordering.

OPTIONAL EXTRAS



*Various outlet types and sizes also available, please contact sales for a free quote.



Leg Pitch (a)	Foot Pin Pitch (b)
1350 mm	1400 mm



PRODUCT CODE:
PTCTFE3000

DESCRIPTION:
3000 LITRE LIQUID FERTILISER TRANSPORT TANK