

PRODUCT SHEET



TANK	
LENGTH	2400 MM
WIDTH	1700 MM
HEIGHT	1400 MM

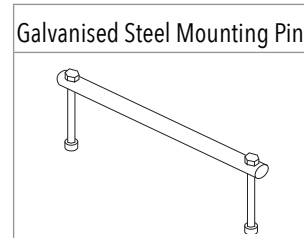
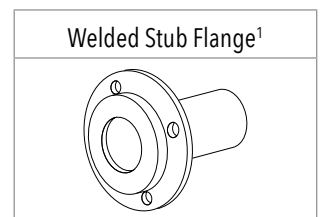
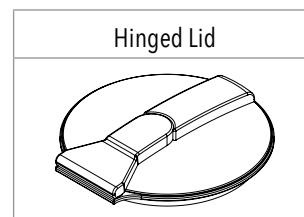
**PRODUCT CODE:
PTCTFE4000**

4,000L LIQUID FERTILISER TRANSPORT TANK

FEATURES

- Spill prevention shroud with 455mm hinged lid
- Heavy duty construction (built to last)
- Manufactured from UV stabilised virgin grade materials (not recycled)
- Secure mounting points in each leg
- Complies with relevant Australian Standards
- Australian Made - Australian Owned
- Specific Gravity 1.6 (SG2.0 Optional)

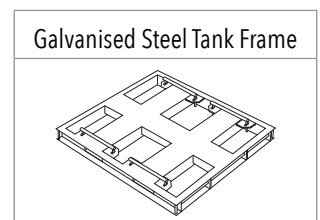
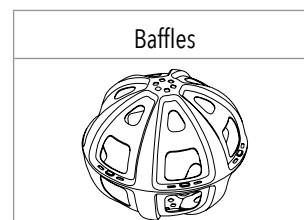
FREE INCLUSIONS



¹ Welded Stub Flange sizes available in 3", 4" and 6"

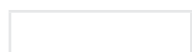
*Inclusions may change without notice, check with sales prior to ordering.

OPTIONAL EXTRAS



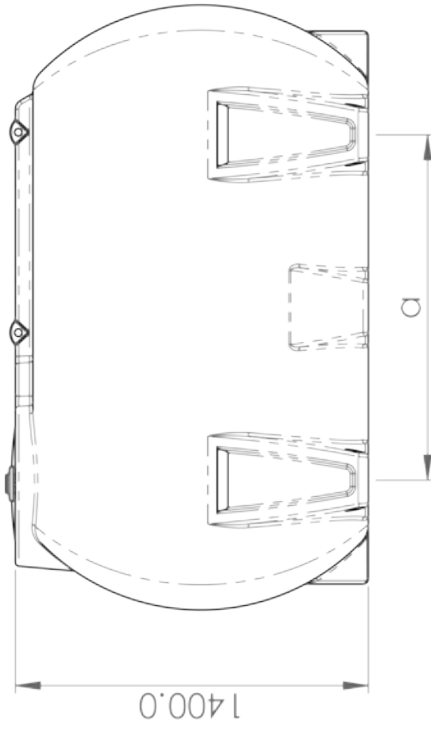
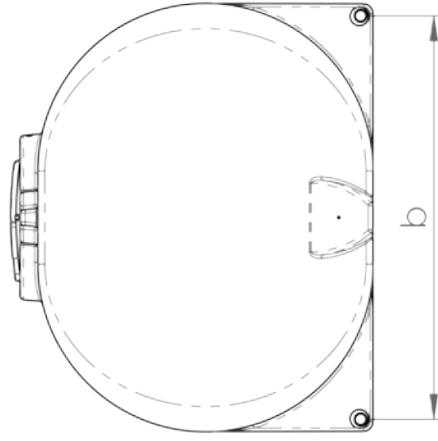
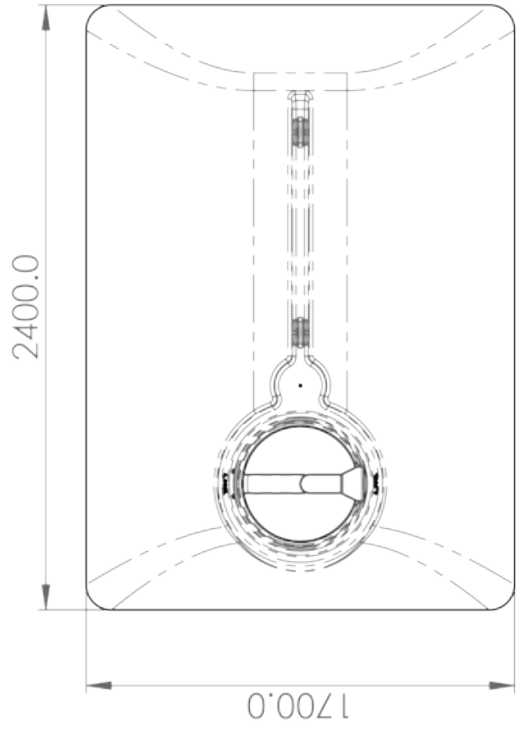
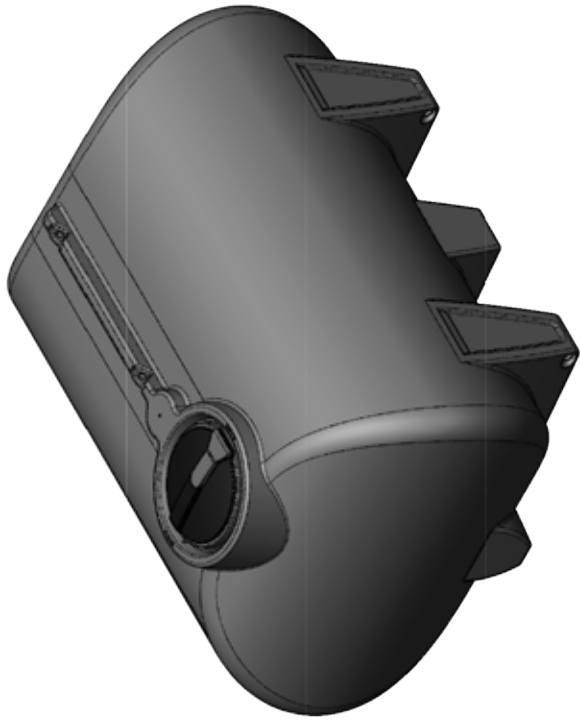
*Various outlet types and sizes also available, please contact sales for a free quote.

COLOURS AVAILABLE



Natural

NB: Colours may vary due to screen and printer calibrations.



Leg Pitch (a)	Foot Pin Pitch (b)
1370 mm	1605 mm



PRODUCT CODE:

PTCTFE4000

DESCRIPTION:

4000 LITRE LIQUID FERTILISER TRANSPORT TANK