

PRODUCT SHEET



TANK	
LENGTH	2790 MM
WIDTH	1910 MM
HEIGHT	1570 MM

**PRODUCT CODE:  
PTCTFE6000**

**6,000L LIQUID FERTILISER TRANSPORT TANK**

**FEATURES**

- Spill prevention shroud with 455mm hinged lid
- Heavy duty construction (built to last)
- Manufactured from UV stabilised virgin grade materials (not recycled)
- Secure mounting points in each leg
- Complies with relevant Australian Standards
- Australian Made - Australian Owned
- Specific Gravity 1.6 (SG2.0 Optional)

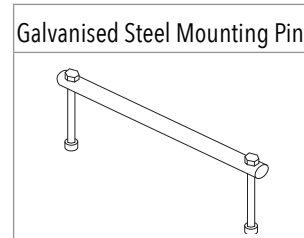
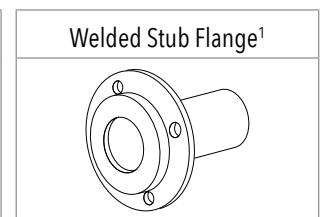
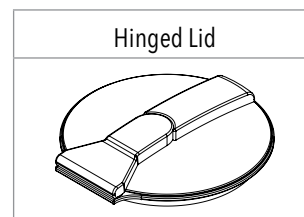
**COLOURS AVAILABLE**



Natural

NB: Colours may vary due to screen and printer calibrations.

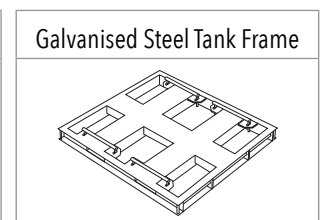
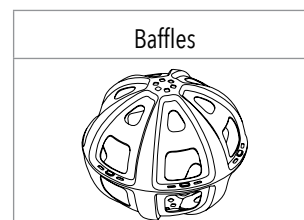
**FREE INCLUSIONS**



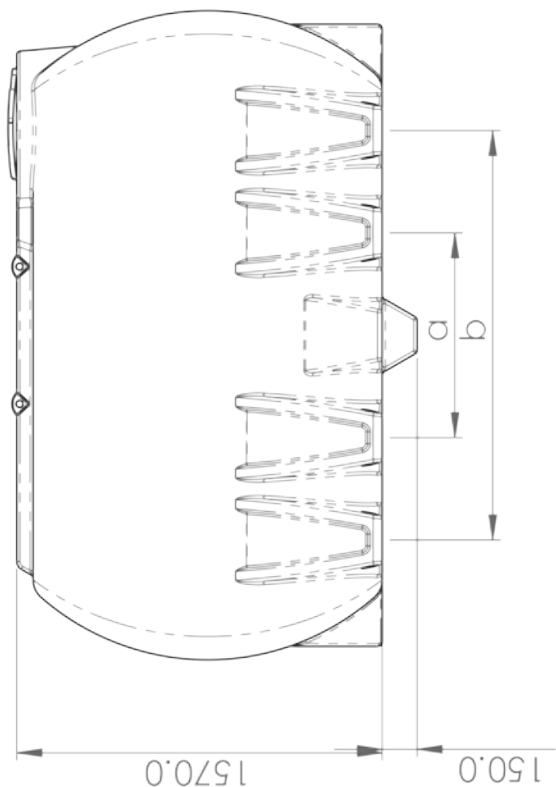
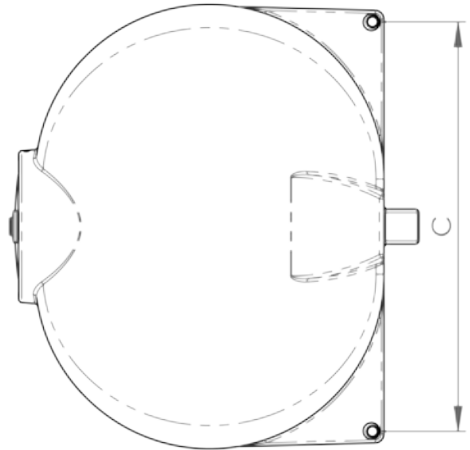
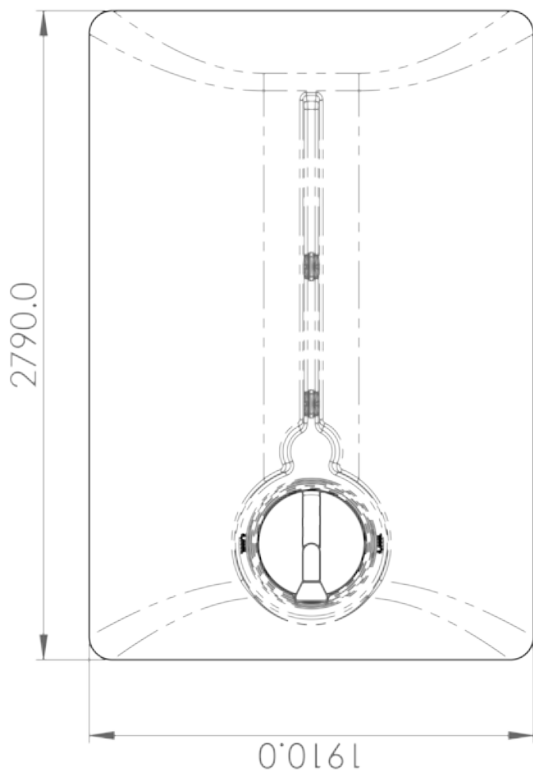
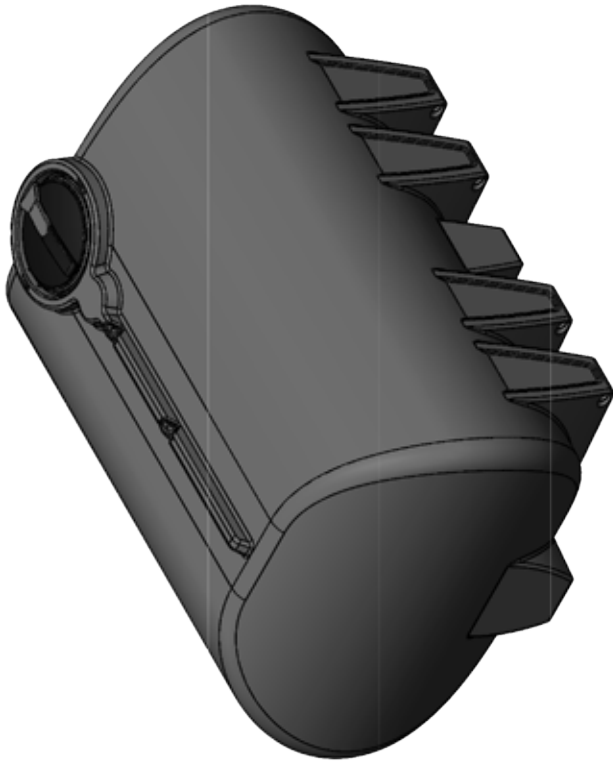
<sup>1</sup> Welded Stub Flange sizes available in 3", 4" and 6"

\*Inclusions may change without notice, check with sales prior to ordering.

**OPTIONAL EXTRAS**



\*Various outlet types and sizes also available, please contact sales for a free quote.



Leg Pitch (a)	Leg Pitch (b)	Foot Pin Pitch (c)
880 mm	1745 mm	1760 mm



PRODUCT CODE:  
PTCTFE6000

DESCRIPTION:  
6000 LITRE LIQUID FERTILISER TRANSPORT TANK