

PRODUCT SHEET

VIEW THIS  
PRODUCT  
ONLINE



LENGTH	3200MM
WIDTH	1900MM
HEIGHT	1540MM

All dimensions may vary  $\pm$  3% due to rotational moulding process.

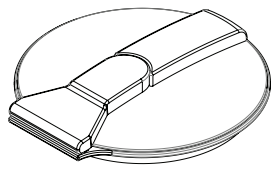
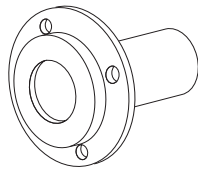
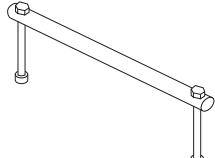
**PRODUCT CODE:  
PTCTFE7000**

**7,000L LIQUID FERTILISER TRANSPORT TANK**

**FEATURES**

- Spill prevention shroud with 455mm hinged lid
- Heavy duty construction (built to last)
- Manufactured from UV stabilised virgin grade materials (not recycled)
- Secure mounting points in each leg
- Complies with relevant Australian Standards
- Australian Made - Australian Owned
- Specific Gravity 1.6 (SG2.0 Optional)

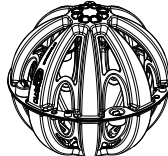
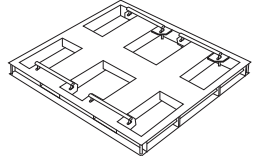
**FREE INCLUSIONS**

Hinged Lid	Welded Stub Flange <sup>1</sup>
	
Galvanised Steel Mounting Pins	
	

<sup>1</sup>Welded Stub Flange sizes available in 3", 4" and 6"

\*Inclusions may change without notice, check with sales prior to ordering

**OPTIONAL EXTRAS**

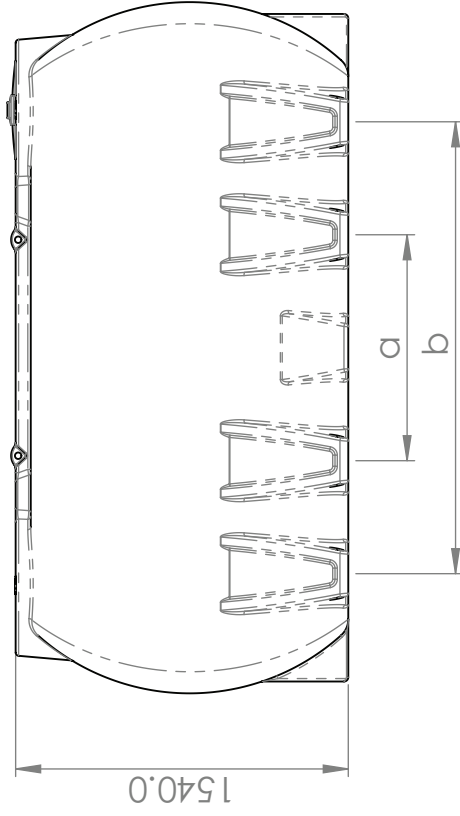
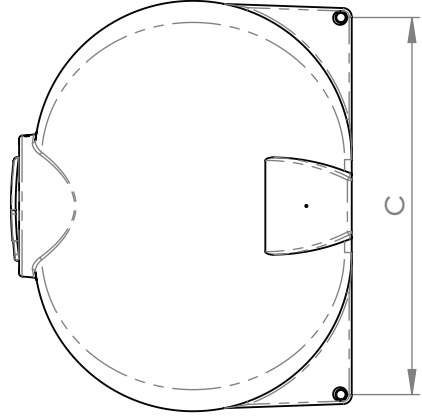
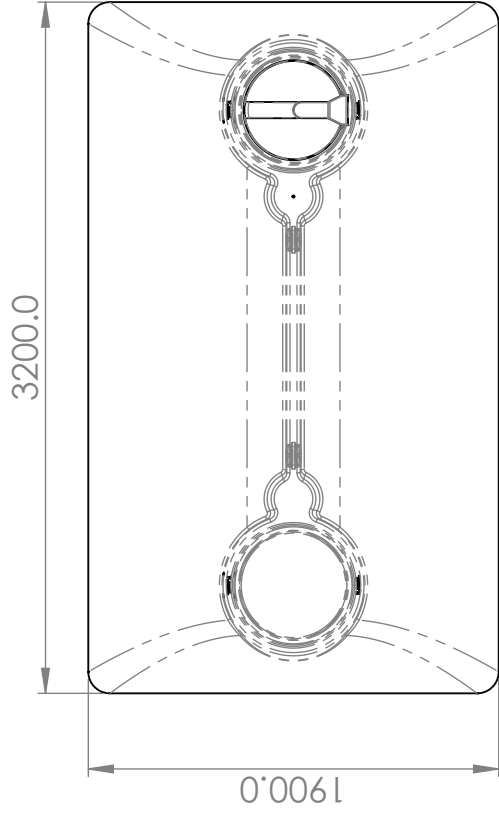
Baffles	Alloy Tank Frame
	

\*Various outlet types and sizes also available, please contact sales for a free quote

**COLOURS AVAILABLE**

Natural

NB: Colours may vary due to screen and printer calibrations.



PRODUCT CODE:

PTCTFE7000

DESCRIPTION

7,000 LITRE LIQUID FERTILISER TRANSPORT TANK

**Details**

Manufacturer's Name	Nu-Tank Pty Ltd
Tank Capacity	7000 Litre
Specific Gravity	1.6
Maximum Design Service Temperature	23°C
Standard	AS/NZS 4766

Leg Pitch (a)	1045MM
Leg Pitch (b)	2110MM
Foot Pin Pitch (c)	1745MM

All dimensions may vary ± 3% due to rotational moulding process.