

PRODUCT SHEET



TANK	
LENGTH	1450 MM
WIDTH	1255 MM
HEIGHT	870 MM

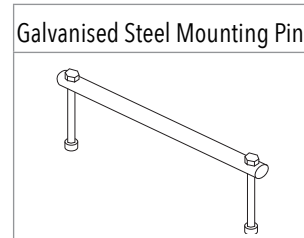
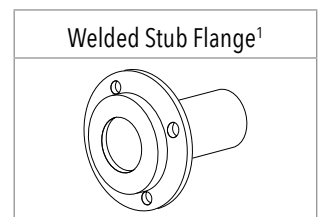
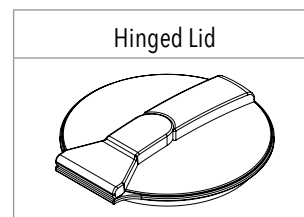
**PRODUCT CODE:
PTCTMO1000**

1,000L MOLASSES TRANSPORT TANK

FEATURES

- Spill prevention shroud with 455mm hinged lid
- Heavy duty construction (built to last)
- Manufactured from UV stabilised virgin grade materials (not recycled)
- Secure mounting points in each leg
- Complies with relevant Australian Standards
- Australian Made - Australian Owned

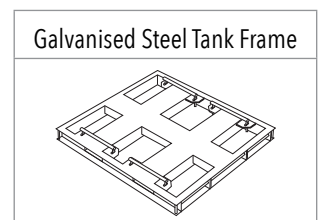
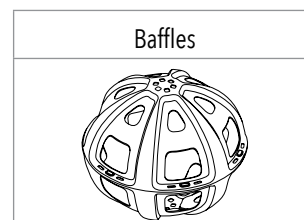
FREE INCLUSIONS



¹ Welded Stub Flange sizes available in 3", 4" and 6"

*Inclusions may change without notice, check with sales prior to ordering.

OPTIONAL EXTRAS



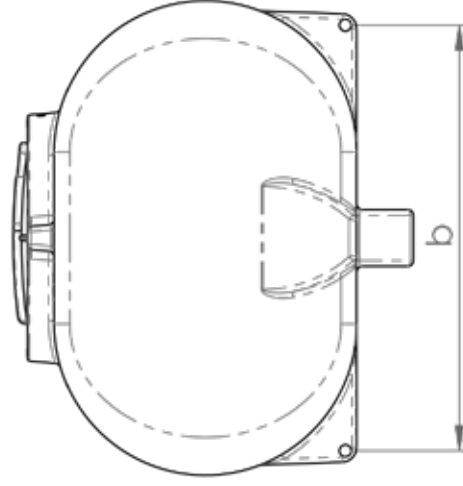
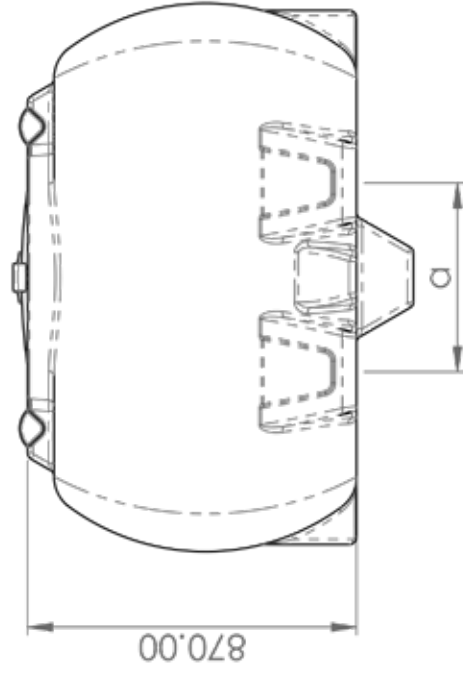
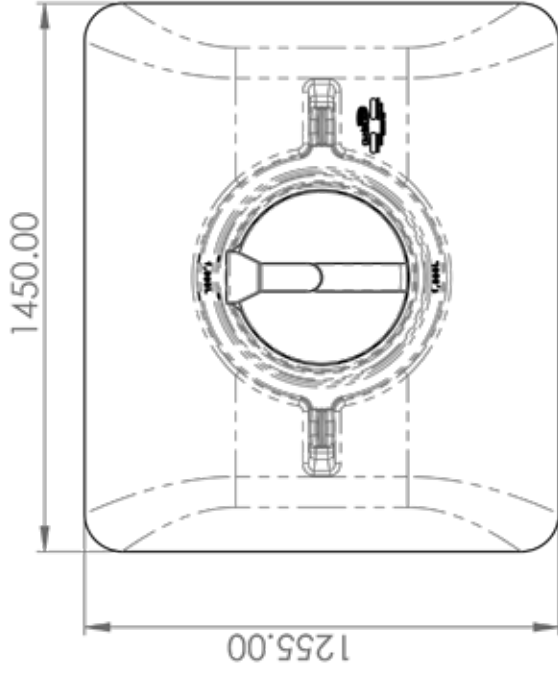
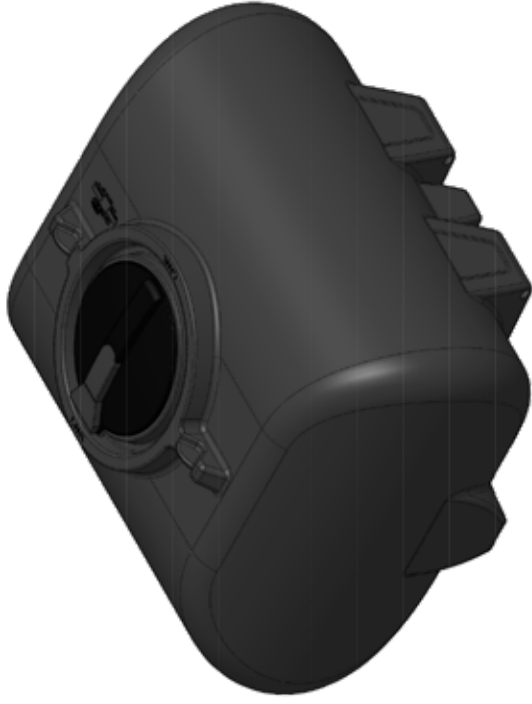
*Various outlet types and sizes also available, please contact sales for a free quote.

COLOURS AVAILABLE



Black

NB: Colours may vary due to screen and printer calibrations.



PRODUCT CODE:

PTCTMO1000

DESCRIPTION:

1000 LITRE MOLASSES CARTAGE TANK

Leg Pitch (a)	Foot Pin Pitch (b)
500 mm	1125 mm