

PRODUCT SHEET

VIEW THIS  
PRODUCT  
ONLINE



LENGTH	3650MM
WIDTH	2120MM
HEIGHT	2015MM

All dimensions may vary  $\pm$  3% due to rotational moulding process.



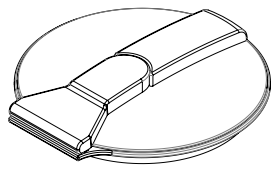
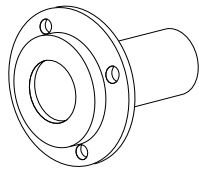
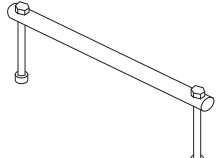
**PRODUCT CODE:  
PTCTMO11000**

**11,000L MOLASSES TRANSPORT TANK**

**FEATURES**

- Spill prevention shroud with 455mm hinged lid
- Heavy duty construction (built to last)
- Manufactured from UV stabilised virgin grade materials (not recycled)
- Secure mounting points in each leg
- Complies with relevant Australian Standards
- Australian Made - Australian Owned


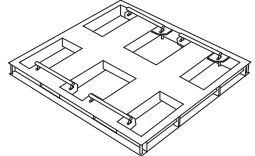
**FREE INCLUSIONS**

Hinged Lid	Welded Stub Flange <sup>1</sup>
	
Galvanised Steel Mounting Pins	
	

<sup>1</sup>Welded Stub Flange sizes available in 3", 4" and 6"

\*Inclusions may change without notice, check with sales prior to ordering

**OPTIONAL EXTRAS**

Baffles	Galvanised Painted Tank Frame
	

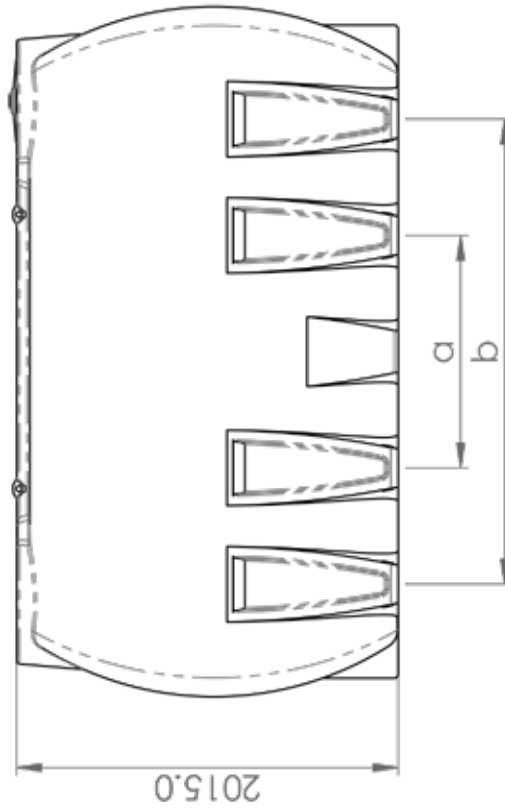
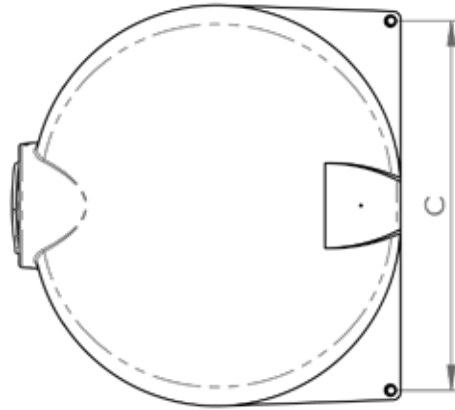
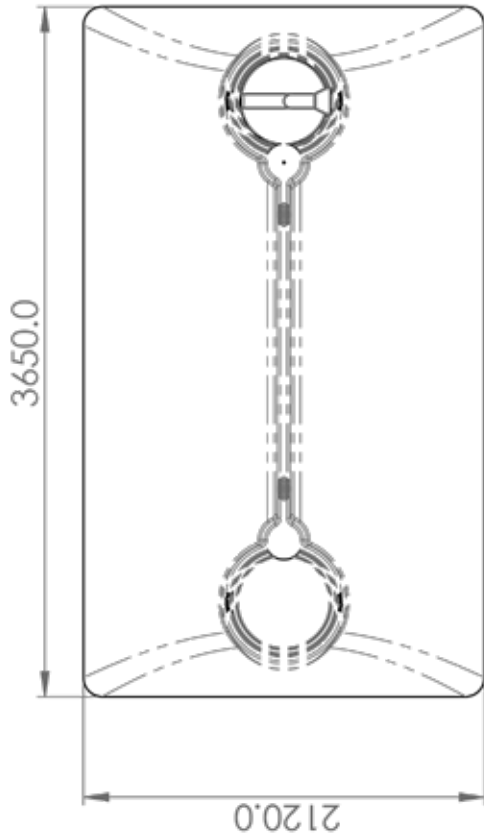
\*Various outlet types and sizes also available, please contact sales for a free quote

**COLOURS AVAILABLE**



Black

NB: Colours may vary due to screen and printer calibrations.



**nu-tank**  
 CLEAN • STRONG • RELIABLE

PRODUCT CODE:

PTCTM011000

DESCRIPTION

11,000 LITRE MOLASSES TRANSPORT TANK

**Details**

Manufacturer's Name	Nu-Tank Pty Ltd
Tank Capacity	11000 Litre
Specific Gravity	1.6
Maximum Design Service Temperature	23°C
Standard	AS/NZS 4766

Leg Pitch (a)	1230MM
Leg Pitch (b)	2445MM
Foot Pin Pitch (c)	1960MM

All dimensions may vary ± 3% due to rotational moulding process.