

PRODUCT SHEET



| TANK | |
|--------|---------|
| LENGTH | 3650 MM |
| WIDTH | 2100 MM |
| HEIGHT | 2100 MM |

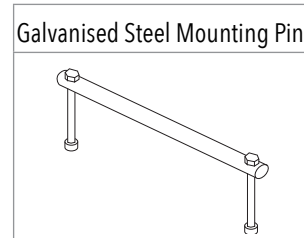
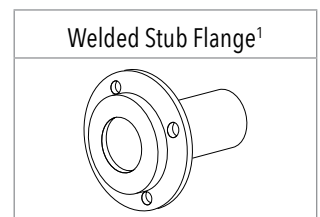
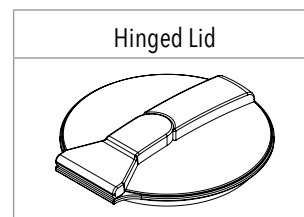
**PRODUCT CODE:
PTCTMO12000**

12,000L MOLASSES TRANSPORT TANK

FEATURES

- Spill prevention shroud with 455mm hinged lid
- Heavy duty construction (built to last)
- Manufactured from UV stabilised virgin grade materials (not recycled)
- Secure mounting points in each leg
- Complies with relevant Australian Standards
- Australian Made - Australian Owned

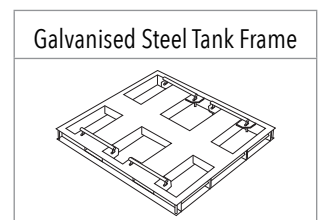
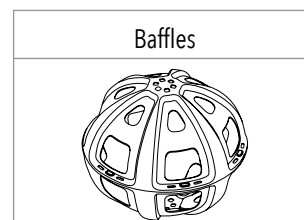
FREE INCLUSIONS



¹ Welded Stub Flange sizes available in 3", 4" and 6"

*Inclusions may change without notice, check with sales prior to ordering.

OPTIONAL EXTRAS



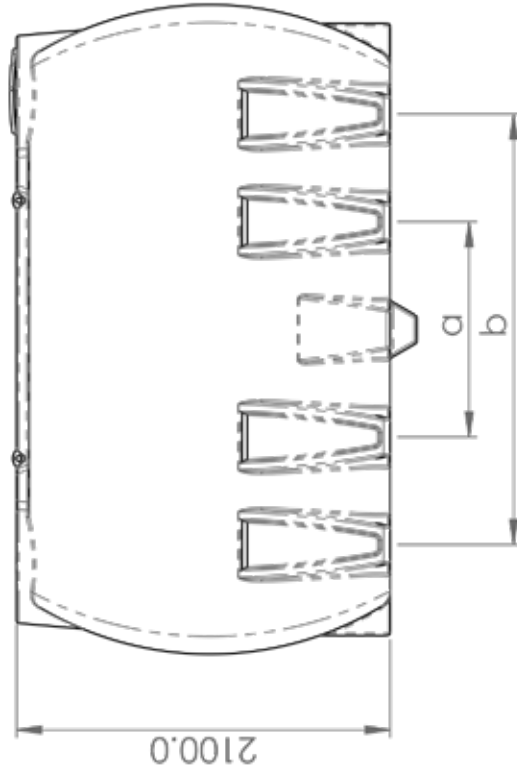
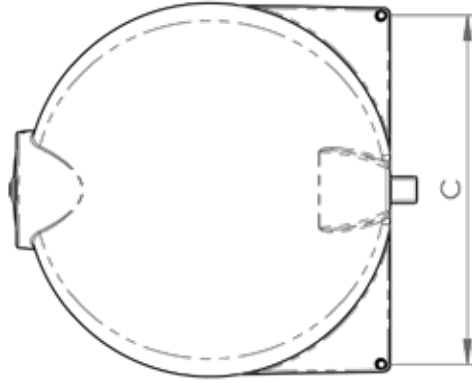
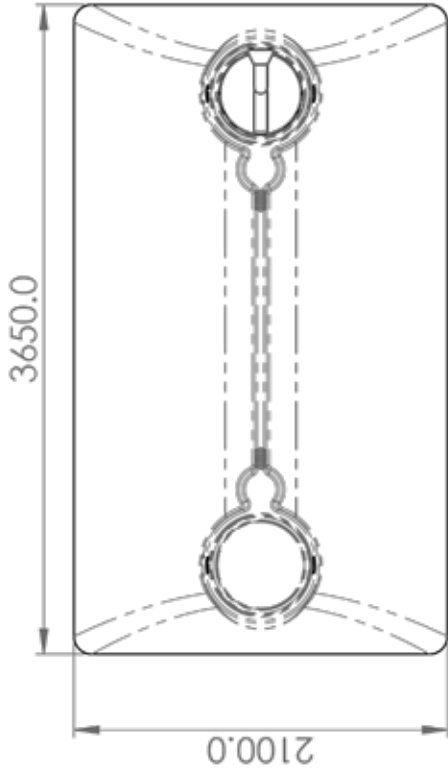
*Various outlet types and sizes also available, please contact sales for a free quote.

COLOURS AVAILABLE



Black

NB: Colours may vary due to screen and printer calibrations.



| Leg Pitch (a) | Leg Pitch (b) | Foot Pin Pitch (c) |
|---------------|---------------|--------------------|
| 1210 mm | 2430mm | 1820 mm |



PRODUCT CODE:

PTCTMO12000

DESCRIPTION:

12000 LITRE MOLASSES CARTAGE TANK