

PRODUCT SHEET



TANK	
LENGTH	3970 MM
WIDTH	2260 MM
HEIGHT	1930 MM

**PRODUCT CODE:
PTCTMO13000LW**

13,000L MOLASSES TRANSPORT TANK

FEATURES

- Spill prevention shroud with 455mm hinged lid
- Heavy duty construction (built to last)
- Manufactured from UV stabilised virgin grade materials (not recycled)
- Secure mounting points in each leg
- Complies with relevant Australian Standards
- Australian Made - Australian Owned

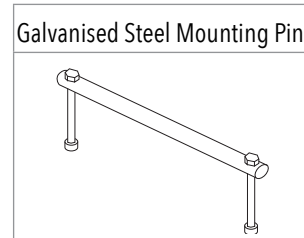
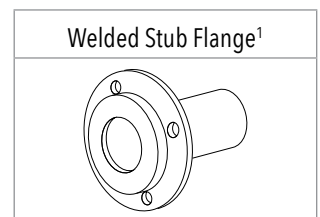
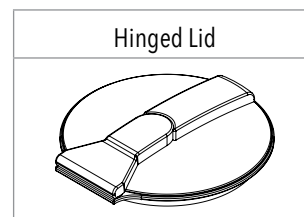
COLOURS AVAILABLE



Black

NB: Colours may vary due to screen and printer calibrations.

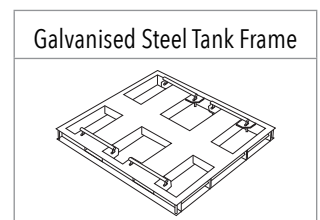
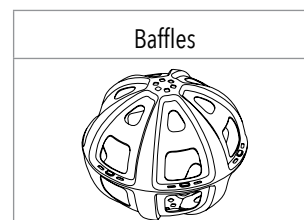
FREE INCLUSIONS



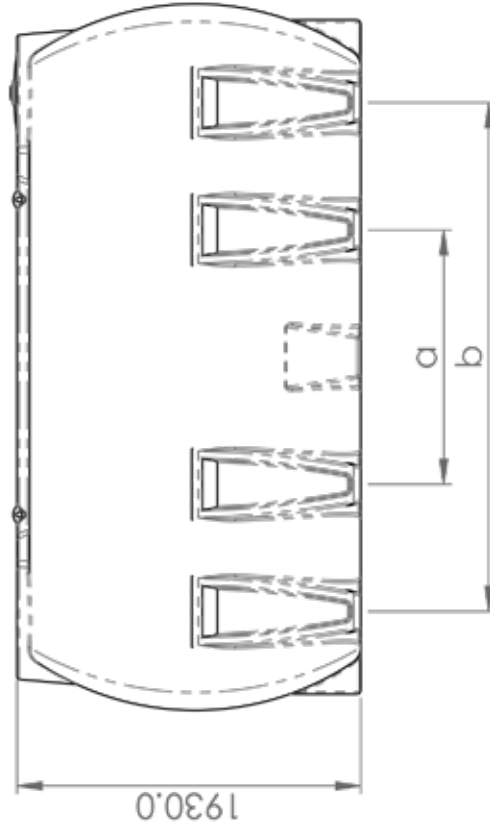
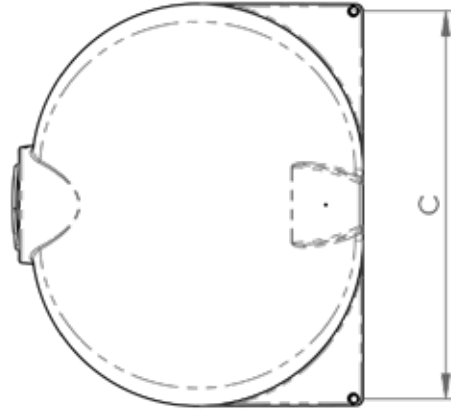
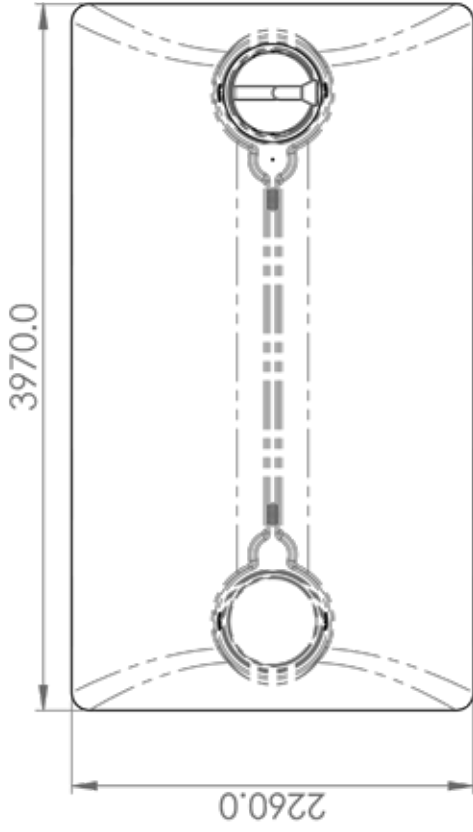
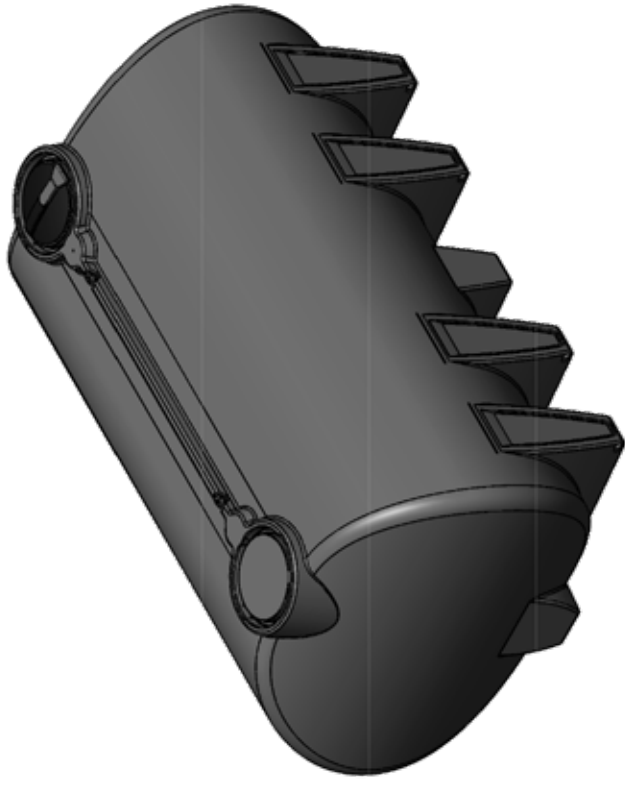
¹ Welded Stub Flange sizes available in 3", 4" and 6"

*Inclusions may change without notice, check with sales prior to ordering.

OPTIONAL EXTRAS



*Various outlet types and sizes also available, please contact sales for a free quote.



Leg Pitch (a)	Leg Pitch (b)	Foot Pin Pitch (c)
1430 mm	2850 mm	2185 mm



PRODUCT CODE:

PTCTMO13000

DESCRIPTION:

13000 LITRE MOLASSES CARTAGE TANK