

PRODUCT SHEET

VIEW THIS
PRODUCT
ONLINE



LENGTH	1720MM
WIDTH	1330MM
HEIGHT	980MM

All dimensions may vary \pm 3% due to rotational moulding process.

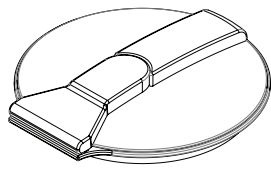
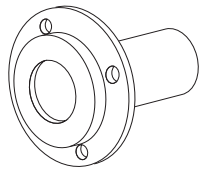
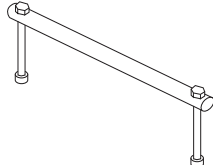
PRODUCT CODE:
PTCTMO1500

1,500L MOLASSES TRANSPORT TANK

FEATURES

- Spill prevention shroud with 455mm hinged lid
- Heavy duty construction (built to last)
- Manufactured from UV stabilised virgin grade materials (not recycled)
- Secure mounting points in each leg
- Complies with relevant Australian Standards
- Australian Made - Australian Owned

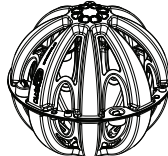
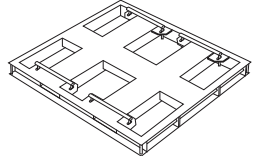
FREE INCLUSIONS

Hinged Lid	Welded Stub Flange ¹
	
Galvanised Steel Mounting Pins	
	

¹Welded Stub Flange sizes available in 3", 4" and 6"

*Inclusions may change without notice, check with sales prior to ordering

OPTIONAL EXTRAS

Baffles	Alloy Tank Frame
	

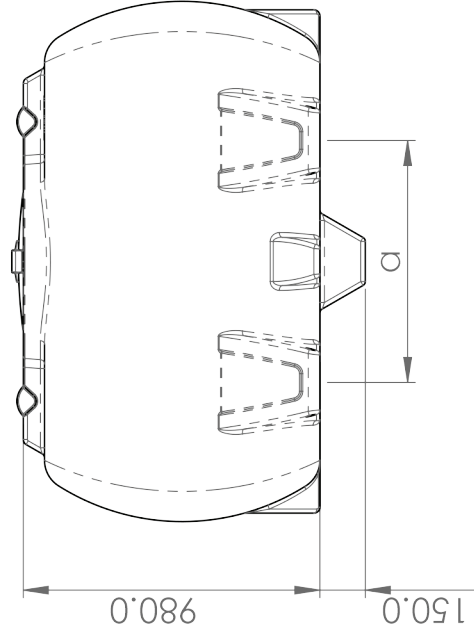
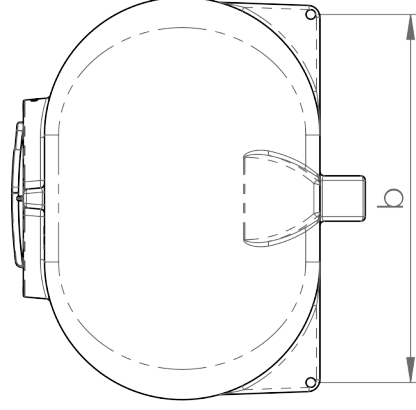
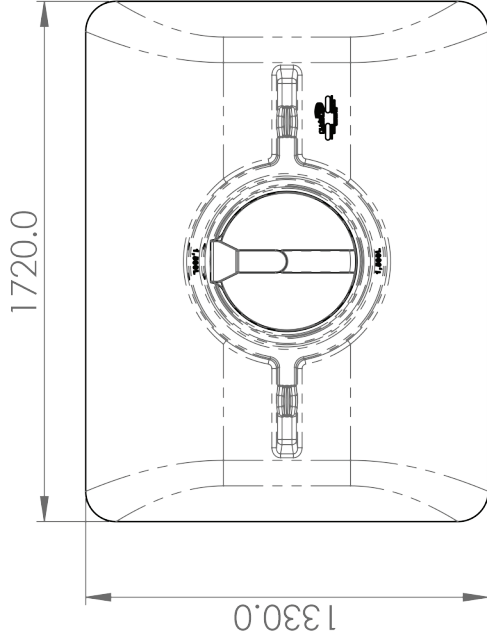
*Various outlet types and sizes also available, please contact sales for a free quote

COLOURS AVAILABLE



Black

NB: Colours may vary due to screen and printer calibrations.



PRODUCT CODE:

PTCTMO1500

DESCRIPTION

1,500 LITRE MOLASSES TRANSPORT TANK

Leg Pitch (a)	800MM
Foot Pin Pitch (b)	1220MM

Details

Manufacturer's Name	Nu-Tank Pty Ltd
Tank Capacity	1500 Litre
Specific Gravity	1.6
Maximum Design Service Temperature	23°C
Standard	AS/NZS 4766

All dimensions may vary ± 3% due to rotational moulding process.