

PRODUCT SHEET



TANK	
LENGTH	2320 MM
WIDTH	1530 MM
HEIGHT	1250 MM

**PRODUCT CODE:  
PTCTMO3000**

**3,000L MOLASSES TRANSPORT TANK**

**FEATURES**

- Spill prevention shroud with 455mm hinged lid
- Heavy duty construction (built to last)
- Manufactured from UV stabilised virgin grade materials (not recycled)
- Secure mounting points in each leg
- Complies with relevant Australian Standards
- Australian Made - Australian Owned

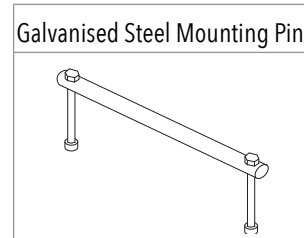
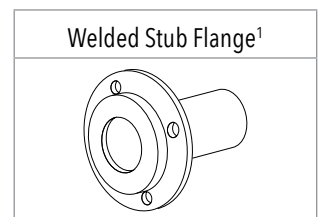
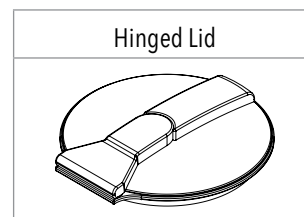
**COLOURS AVAILABLE**



Black

NB: Colours may vary due to screen and printer calibrations.

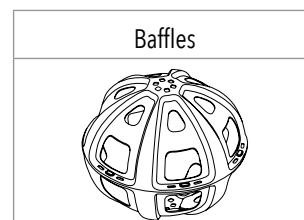
**FREE INCLUSIONS**



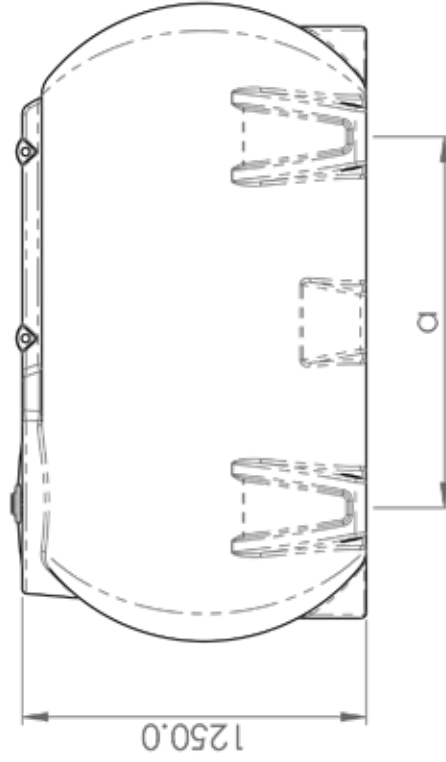
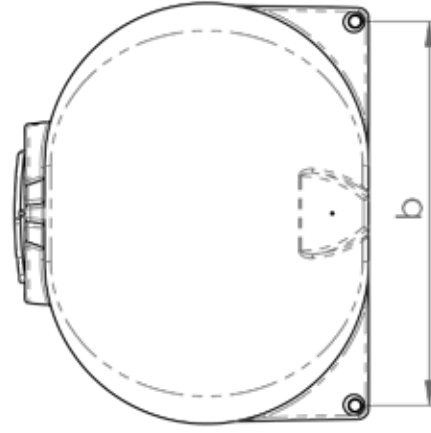
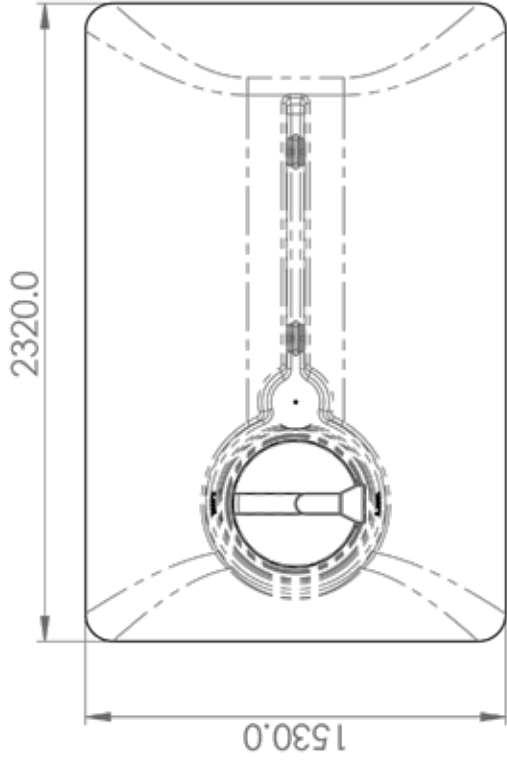
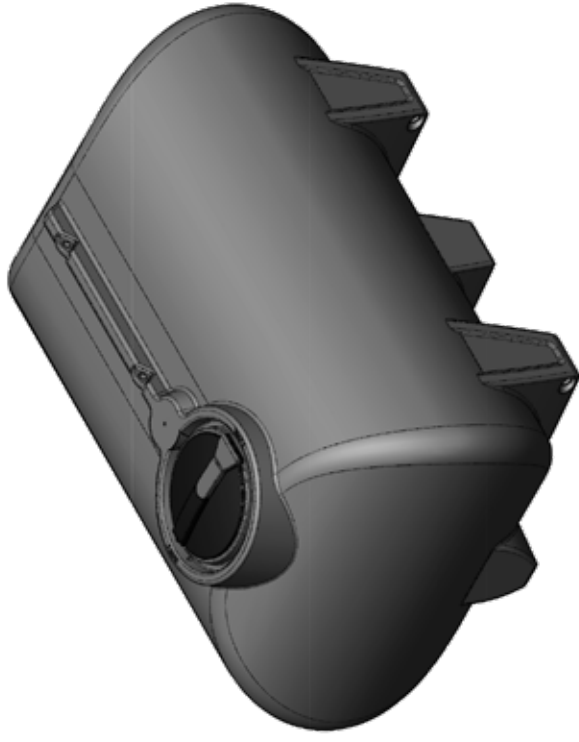
<sup>1</sup> Welded Stub Flange sizes available in 3", 4" and 6"

\*Inclusions may change without notice, check with sales prior to ordering.

**OPTIONAL EXTRAS**



\*Various outlet types and sizes also available, please contact sales for a free quote.



Leg Pitch (a)	Foot Pin Pitch (b)
1350 mm	1400 mm



PRODUCT CODE:

PTCTMO3000

DESCRIPTION:

3000 LITRE MOLASSES CARTAGE TANK