

PRODUCT SHEET



TANK	
LENGTH	1450 MM
WIDTH	1255 MM
HEIGHT	715 MM

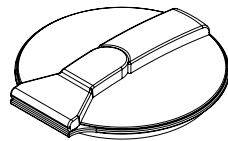
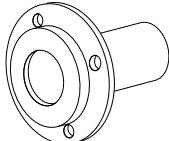
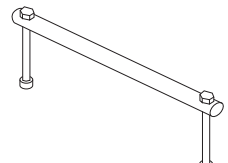
**PRODUCT CODE:
PTCTM0800**

800L MOLASSES TRANSPORT TANK

FEATURES

- Spill prevention shroud with 455mm hinged lid
- Heavy duty construction (built to last)
- Manufactured from UV stabilised virgin grade materials (not recycled)
- Secure mounting points in each leg
- Complies with relevant Australian Standards
- Australian Made - Australian Owned


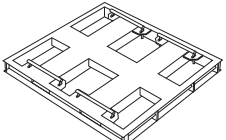
FREE INCLUSIONS

<p>Hinged Lid</p> 	<p>Welded Stub Flange¹</p> 
<p>Galvanised Steel Mounting Pins</p> 	

¹ Welded Stub Flange sizes available in 3", 4" and 6"

*Inclusions may change without notice, check with sales prior to ordering.

OPTIONAL EXTRAS

<p>Baffles</p> 	<p>Galvanised Steel Tank Frame</p> 
---	--

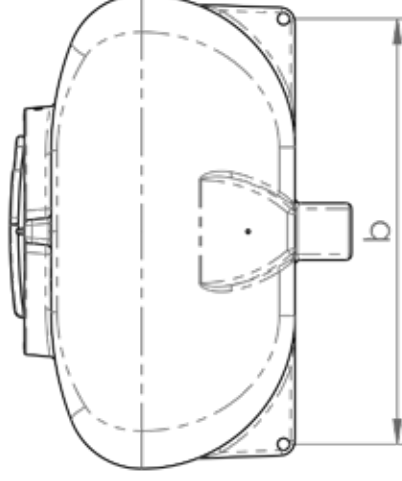
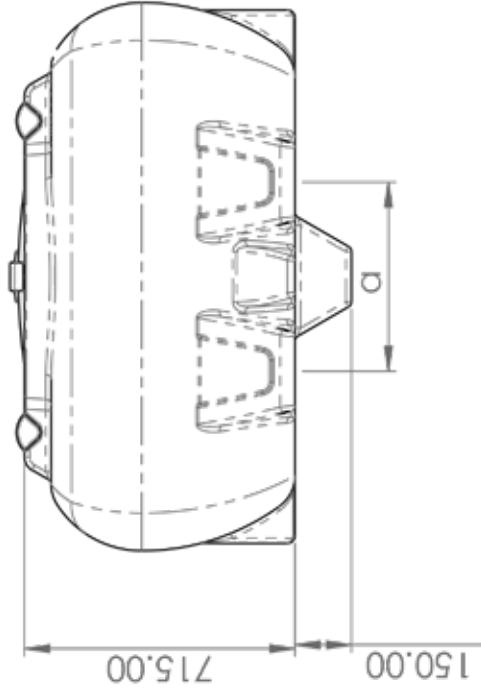
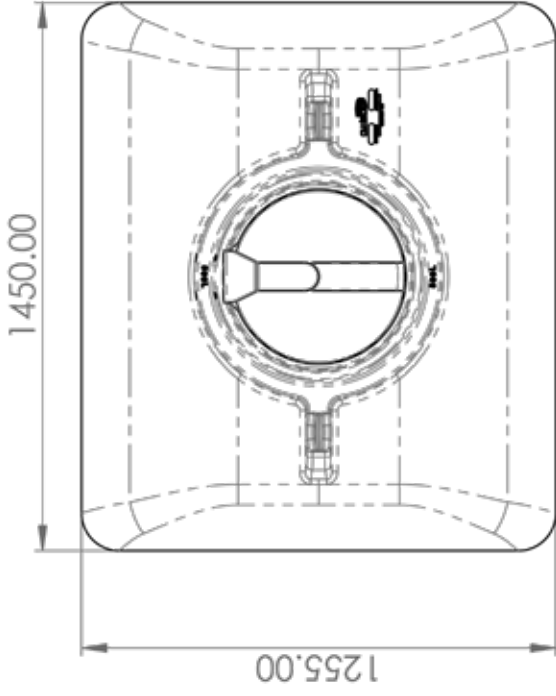
*Various outlet types and sizes also available, please contact sales for a free quote.

COLOURS AVAILABLE



Black

NB: Colours may vary due to screen and printer calibrations.



Leg Pitch (a)	Foot Pin Pitch (b)
500 mm	1125 mm



PRODUCT CODE:

PTCTMO800

DESCRIPTION:

800 LITRE MOLASSES CARTAGE TANK