

PRODUCT SHEET



TANK	
LENGTH	3650 MM
WIDTH	2120 MM
HEIGHT	2015 MM

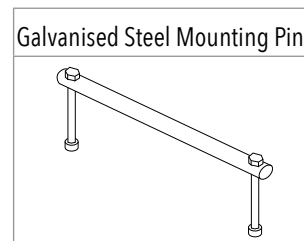
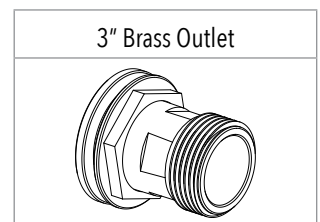
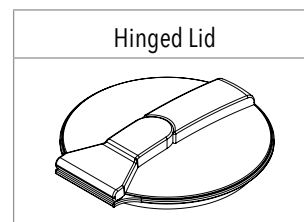
PRODUCT CODE:
PTCTWA11000

11,000L WATER/SPRAY TRANSPORT TANK

FEATURES

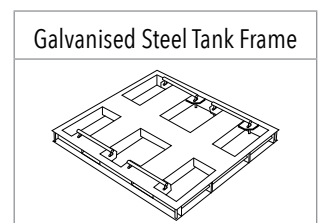
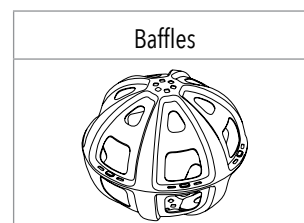
- Spill prevention shroud with 455mm hinged lid
- Heavy duty construction (built to last)
- Manufactured from UV stabilised virgin grade materials (not recycled)
- Secure mounting points in each leg
- Complies with relevant Australian Standards
- Australian Made - Australian Owned
- 2 year warranty

FREE INCLUSIONS



*Inclusions may change without notice, check with sales prior to ordering.

OPTIONAL EXTRAS



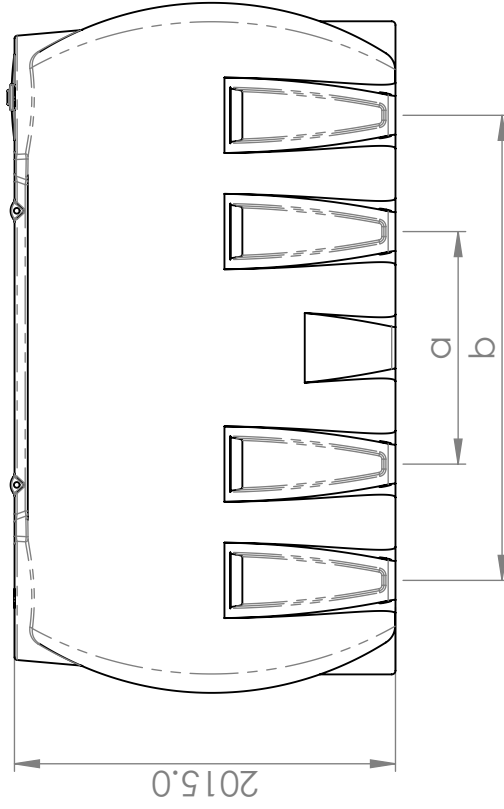
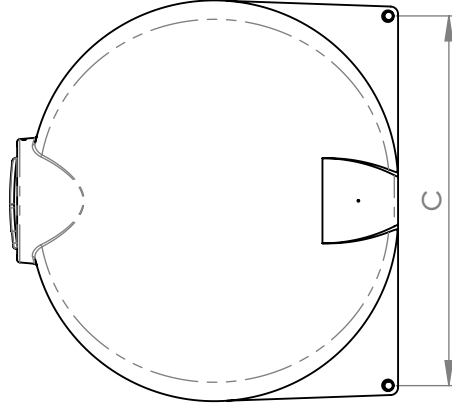
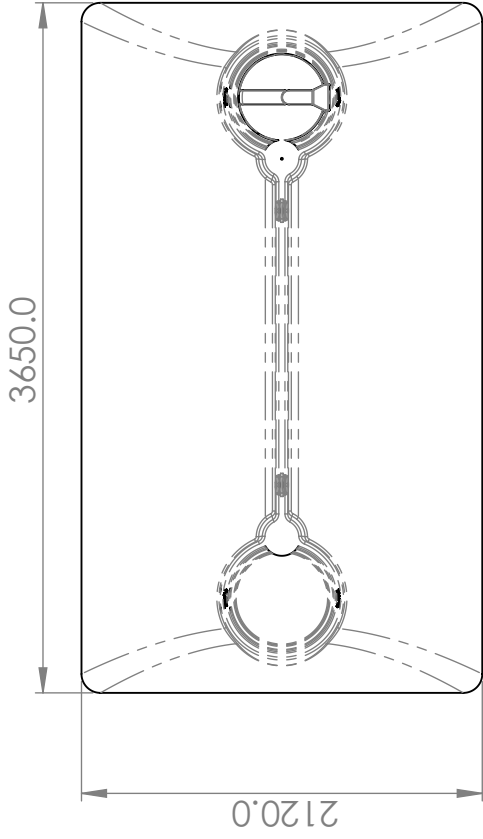
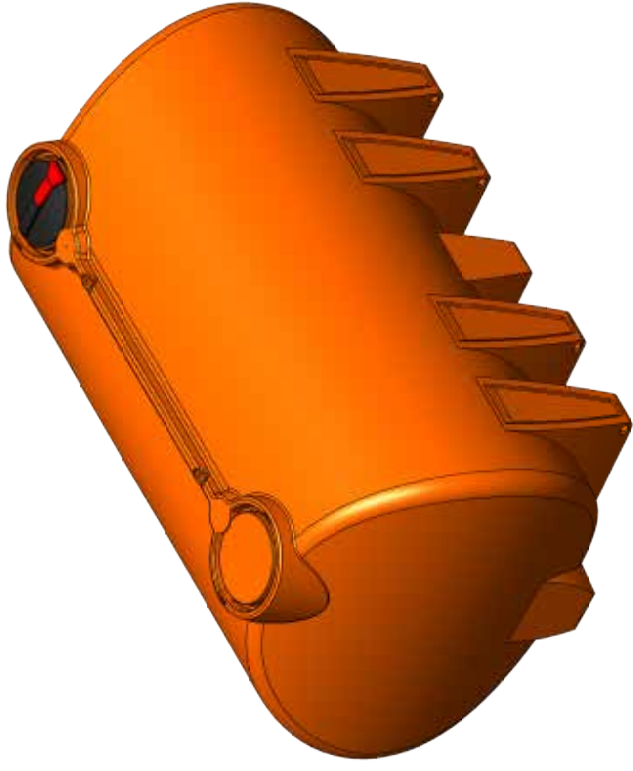
*Various outlet types and sizes also available, please contact sales for a free quote.

COLOURS AVAILABLE



Orange

NB: Colours may vary due to screen and printer calibrations.



Leg Pitch (a)	Leg Pitch (b)	Foot Pin Pitch (c)
1230 mm	2445 mm	1960 mm



PRODUCT CODE:

PTCTWA11000

DESCRIPTION:

11000 LITRE WATER/ SPRAY CARTAGE TANK