

PRODUCT SHEET



TANK	
LENGTH	3970 MM
WIDTH	2260 MM
HEIGHT	1930 MM

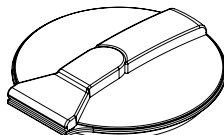
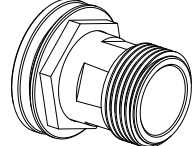
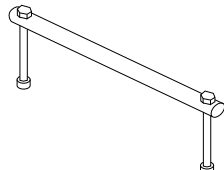
PRODUCT CODE:
PTCTWA1300LW

13,000L WATER/SPRAY TRANSPORT TANK

FEATURES


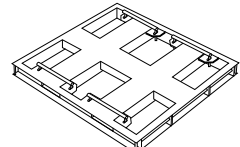
- Spill prevention shroud with 455mm hinged lid
- Heavy duty construction (built to last)
- Manufactured from UV stabilised virgin grade materials (not recycled)
- Secure mounting points in each leg
- Complies with relevant Australian Standards
- Australian Made - Australian Owned
- 2 year warranty

FREE INCLUSIONS

Hinged Lid	3" Brass Outlet
	
Galvanised Steel Mounting Pins	
	

*Inclusions may change without notice, check with sales prior to ordering.

OPTIONAL EXTRAS

Baffles	Galvanised Steel Tank Frame
	

*Various outlet types and sizes also available, please contact sales for a free quote.

COLOURS AVAILABLE



Orange

NB: Colours may vary due to screen and printer calibrations.