

PRODUCT SHEET

VIEW THIS
 PRODUCT
 ONLINE



LENGTH	5030MM
WIDTH	2380MM
HEIGHT	2060MM

All dimensions may vary ± 3% due to rotational moulding process.

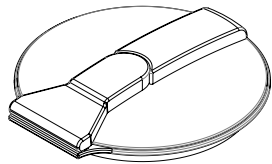
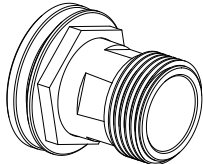
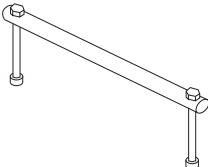
**PRODUCT CODE:
 PTCTWA18000**

18,000L WATER / SPRAY TRANSPORT TANK

FEATURES


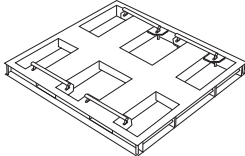
- Spill prevention shroud with 455mm hinged lid
- Heavy duty construction (built to last)
- Manufactured from UV stabilised virgin grade materials (not recycled)
- Secure mounting points in each leg
- Complies with relevant Australian Standards
- Australian Made - Australian Owned
- 20 year warranty

FREE INCLUSIONS

Hinged Lid 	3" Brass Outlet 
Galvanised Steel Mounting Pins 	

*Inclusions may change without notice, check with sales prior to ordering

OPTIONAL EXTRAS

Baffles 	Galvanised Painted Tank Frame 
-------------------------------------------------------------------------------------------------	------------------------------------------------------------------------------------------------------------------------

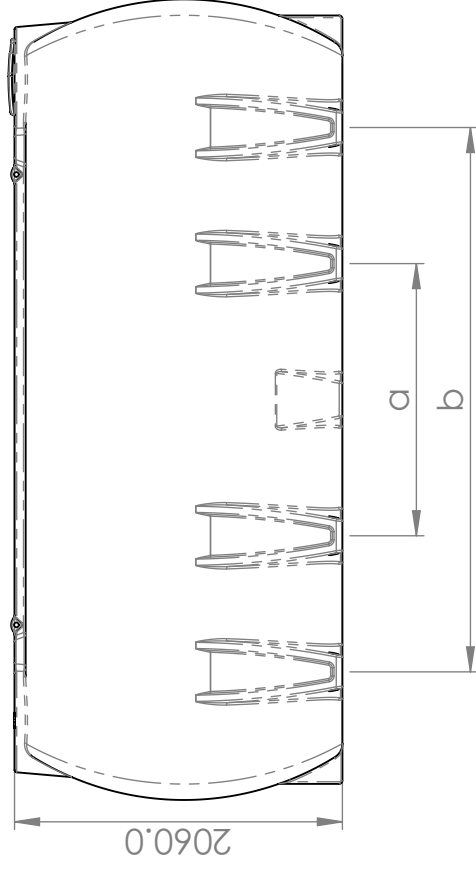
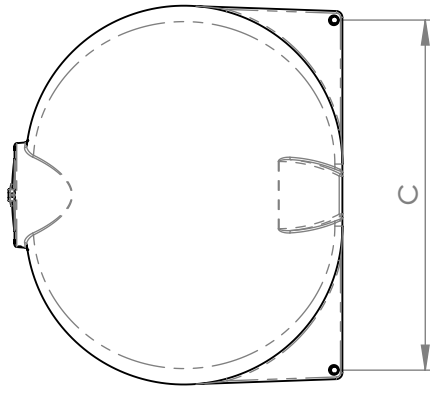
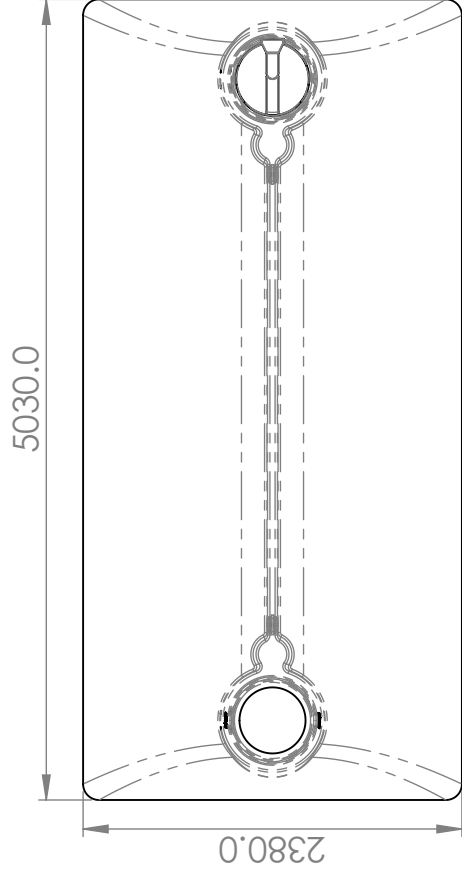
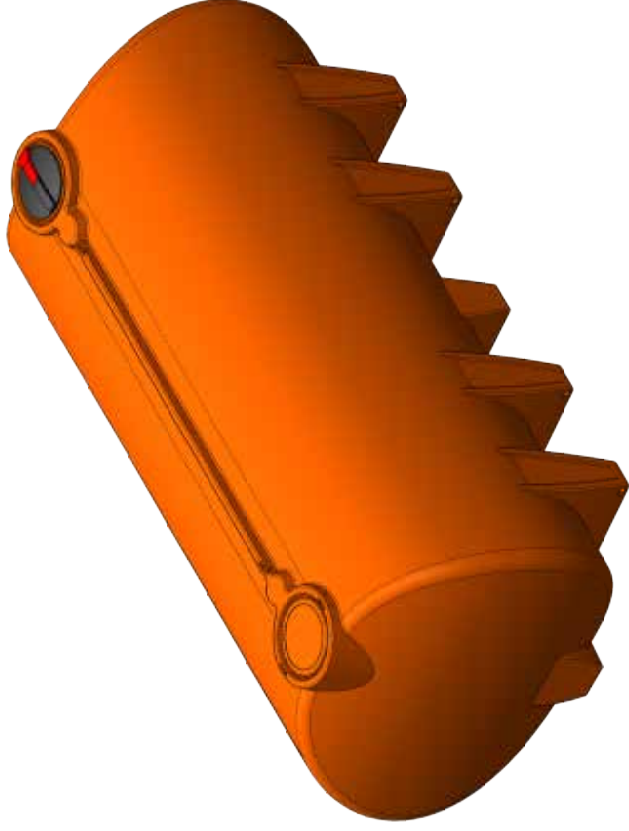
*Various outlet types and sizes also available, please contact sales for a free quote

COLOURS AVAILABLE



Orange

NB: Colours may vary due to screen and printer calibrations.



nu-tank
 CLEAN • STRONG • RELIABLE

PRODUCT CODE:

PTCTWA18000

DESCRIPTION

18,000 LITRE WATER TRANSPORT TANK

Details

Manufacturer's Name	Nu-Tank Pty Ltd
Tank Capacity	18,000 Litres
Specific Gravity	1.0
Maximum Design Service Temperature	23°C
Standard	AS/NZS 4766

Leg Pitch (a)	1710MM
Leg Pitch (b)	3340MM
Foot Pin Pitch (c)	2200MM

All dimensions may vary ± 3% due to rotational moulding process.