

PRODUCT SHEET



TANK	
LENGTH	1450 MM
WIDTH	1255 MM
HEIGHT	715 MM

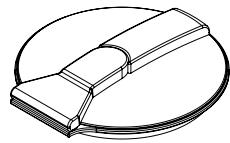
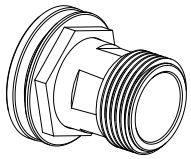
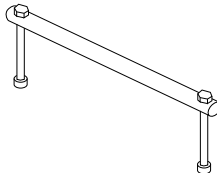
**PRODUCT CODE:  
PTCTWA800**

**800L WATER/SPRAY TRANSPORT TANK**

**FEATURES**

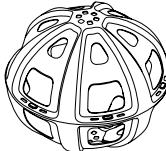
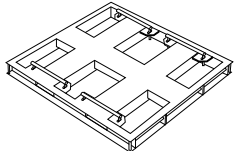
- Spill prevention shroud with 455mm hinged lid
- Heavy duty construction (built to last)
- Manufactured from UV stabilised virgin grade materials (not recycled)
- Secure mounting points in each leg
- Complies with relevant Australian Standards
- Australian Made - Australian Owned
- 2 year warranty

**FREE INCLUSIONS**

Hinged Lid	2" Brass Outlet
	
Galvanised Steel Mounting Pins	
	

\*Inclusions may change without notice, check with sales prior to ordering.

**OPTIONAL EXTRAS**

Baffles	Galvanised Steel Tank Frame
	

\*Various outlet types and sizes also available, please contact sales for a free quote.

**COLOURS AVAILABLE**



Orange

NB: Colours may vary due to screen and printer calibrations.