

PRODUCT SHEET



DIAMETER	2150 MM
MAN HOLE HEIGHT	1500 MM
OVERALL HEIGHT	1730 MM

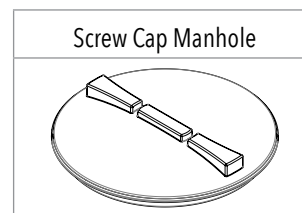
**PRODUCT CODE:
PTRNDI11005MH**

1,100GAL / 5,000L BARE DIESEL TANK

FEATURES

- Specific Gravity of 1.6 (option to upgrade at extra cost)
- Fully self supporting roof (no internal poles or frames)
- Tanks can be daisy chained for extra storage
- Manufactured from proven Australian standard materials (tested in the field for over 25 years)
- Manufactured in computerised ovens (not open flame)
- Thicker walls at base (supports pressure)
- Poly fused & welded fittings (stops fitting split)

FREE INCLUSIONS

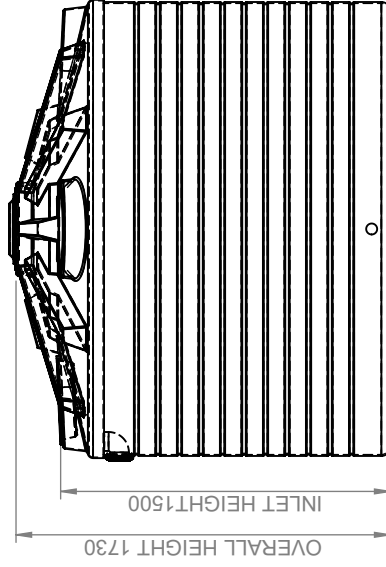
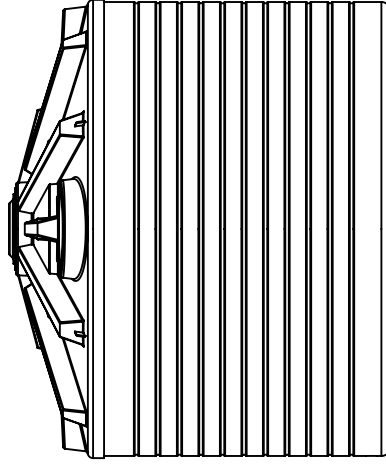
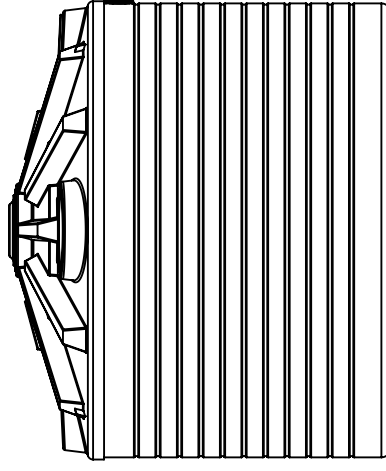
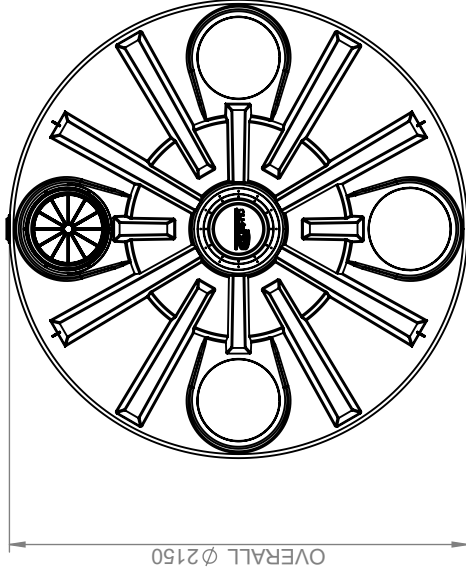


*Inclusions may change without notice, check with sales prior to ordering

COLOURS AVAILABLE

Grey

NB: Colours may vary due to screen and printer calibrations.



Details

Manufacturer's Name	Nu-Tank Pty Ltd
Tank Capacity	1,100 Gallon
Maximum Specific Gravity	2.0
Maximum Design Service Temperature	23 °C
Standard	AS/NZS 4766



PRODUCT CODE:

PTRND111005MH

DESCRIPTION:

1,100GAL /5,000L 5MH BARE DIESEL TANK