

## PRODUCT SHEET



DIAMETER	1650 MM
MAN HOLE HEIGHT	1650 MM
OVERALLE HEIGHT	1850 MM

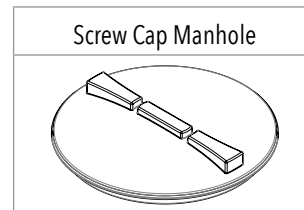
**PRODUCT CODE:  
PTRNDI750**

**750GAL / 3,500L BARE DIESEL TANK**

### FEATURES

- Specific Gravity of 1.6 (option to upgrade at extra cost)
- Fully self supporting roof (no internal poles or frames)
- Tanks can be daisy chained for extra storage
- Manufactured from proven Australian standard materials (tested in the field for over 25 years)
- Manufactured in computerised ovens (not open flame)
- Thicker walls at base (supports pressure)
- Poly fused & welded fittings (stops fitting split)

### FREE INCLUSIONS

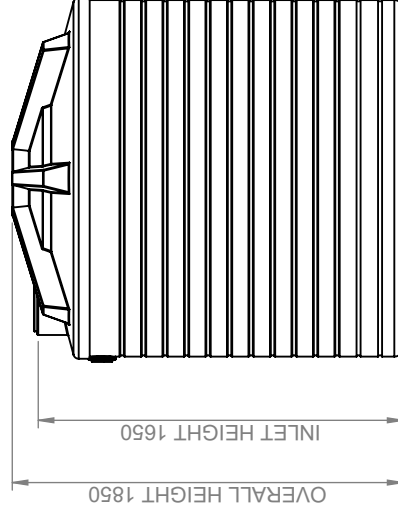
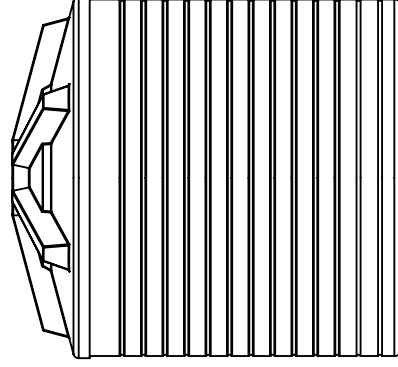
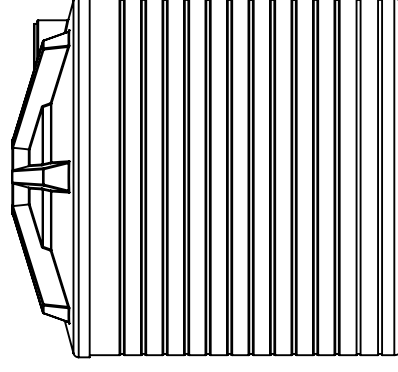
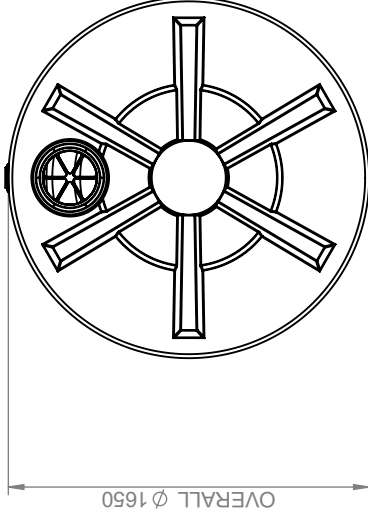


\*Inclusions may change without notice, check with sales prior to ordering

### COLOURS AVAILABLE

Grey

NB: Colours may vary due to screen and printer calibrations.



**Details**

Manufacturer's Name	Nu-Tank Pty Ltd
Tank Capacity	750 Gallon
Maximum Specific Gravity	2.0
Maximum Design Service Temperature	23 °c
Standard	AS/NZS 4766



**PRODUCT CODE:**

PTRNDI750

**DESCRIPTION:**

750GAL /3,500L BARE DIESEL TANK