

## PRODUCT SHEET



DIAMETER	2200 MM
MAN HOLE HEIGHT	1410 MM
OVERALL HEIGHT	1730 MM

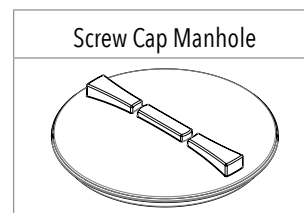
**PRODUCT CODE:  
PTRNIN11005MH**

**1,100GAL / 5,000L 5MH INDUSTRIAL TANK**

### FEATURES

- Specific Gravity of 1.6 (option to upgrade at extra cost)
- Fully self supporting roof (no internal poles or frames)
- Tanks can be daisy chained for extra storage
- Manufactured from proven Australian standard materials (tested in the field for over 25 years)
- Manufactured in computerised ovens (not open flame)
- Thicker walls at base (supports pressure)
- Poly fused & welded fittings (stops fitting split)

### FREE INCLUSIONS

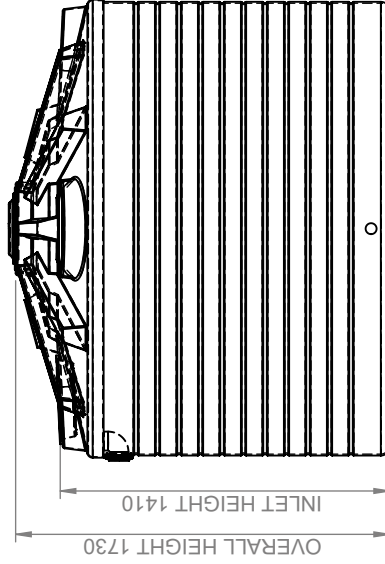
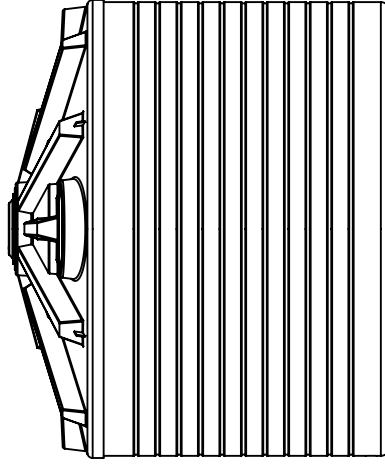
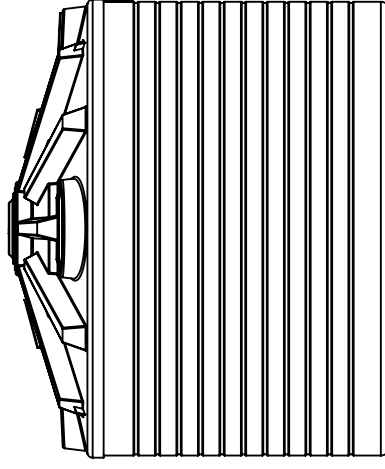
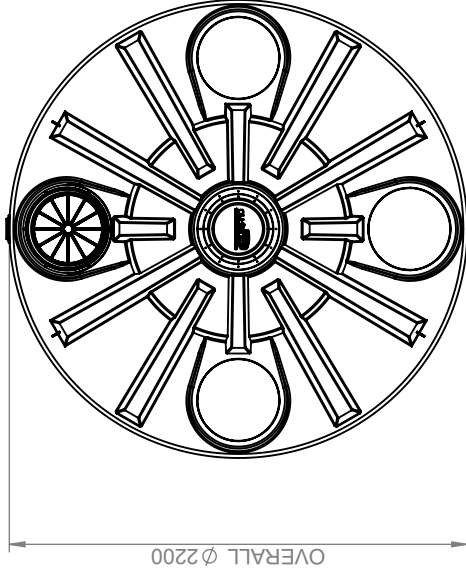
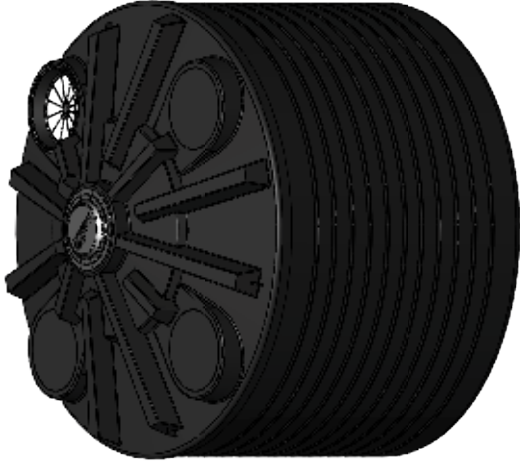


\*Inclusions may change without notice, check with sales prior to ordering

### COLOURS AVAILABLE

Black

NB: Colours may vary due to screen and printer calibrations.



Details

Manufacturer's Name	NU-Tank Pty Ltd
Tank Capacity	1,100 Gallon
Maximum Specific Gravity	2.0
Maximum Design Service Temperature	23 °C
Standard	AS/NZS 4766



PRODUCT CODE:

PTRNIN11005MH

DESCRIPTION:

1,100GAL /5,000L 5MH INDUSTRIAL TANK