

PRODUCT SHEET



DIAMETER	1800 MM
MAN HOLE HEIGHT	2100 MM
OVERALL HEIGHT	2230 MM

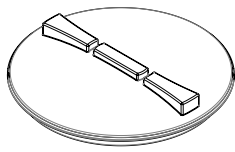
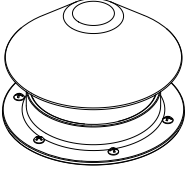
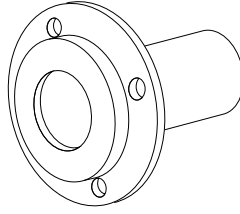
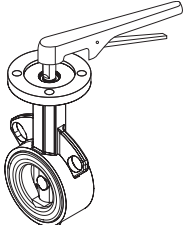
**PRODUCT CODE:
PTRNMO1100TL**

1,100GAL / 5,000L TALL MOLASSES TANK

FEATURES

- Specific Gravity of 1.6 (2.0 optional)
- Fully self supporting roof (no internal poles or frames)
- Manufactured from proven Australian standard materials (tested in the field for over 25 years)
- Manufactured in computerised ovens (not open flame)
- Ribbed side walls (extra strength)
- Thicker walls at base (supports pressure)
- Poly fused & welded fittings (stops fitting split)

FREE INCLUSIONS¹

355mm Screw Cap Manhole	Centre Vent
	
Stub Flange	Butterfly Valve
	

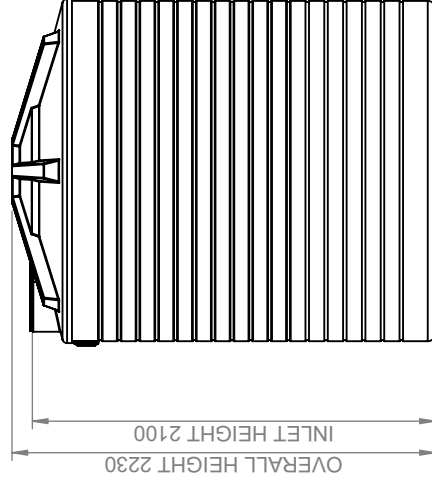
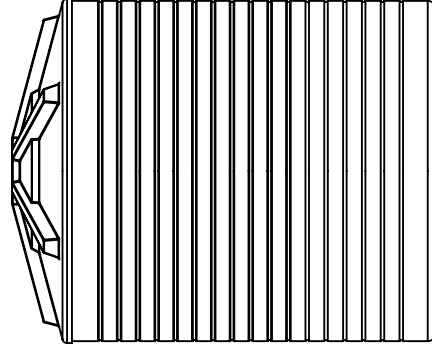
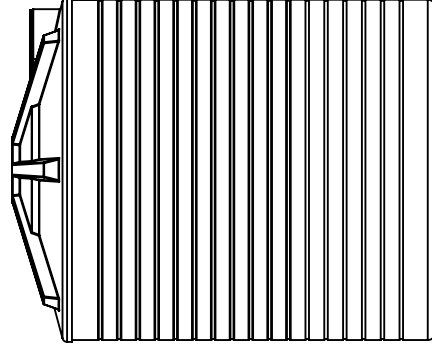
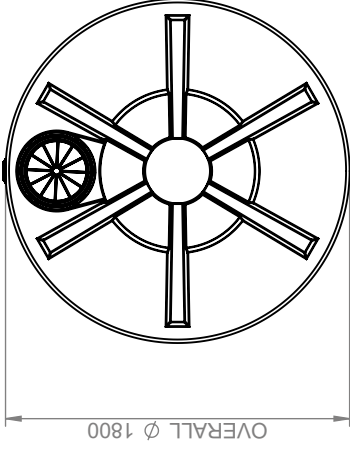
¹ Standard sizing of Butterfly Valve and Stub Flange 3", 4" and 6", other sizes available on request

*Inclusions may change without notice, check with sales prior to ordering

COLOURS AVAILABLE

Black

NB: Colours may vary due to screen and printer calibrations.



PRODUCT CODE:

PTRNMO1100TL

DESCRIPTION:

1,100 GALLON / 5,000 LITRE TALL MOLASSES TANK

Details

Manufacturer's Name	Nu-Tank Pty Ltd
Tank Capacity	1100 Gallon
Maximum Specific Gravity	2.0
Maximum Design Service Temperature	23°c
Standard	AS/NZS 4766