

PRODUCT SHEET



DIAMETER	885 MM
MAN HOLE HEIGHT	1000 MM

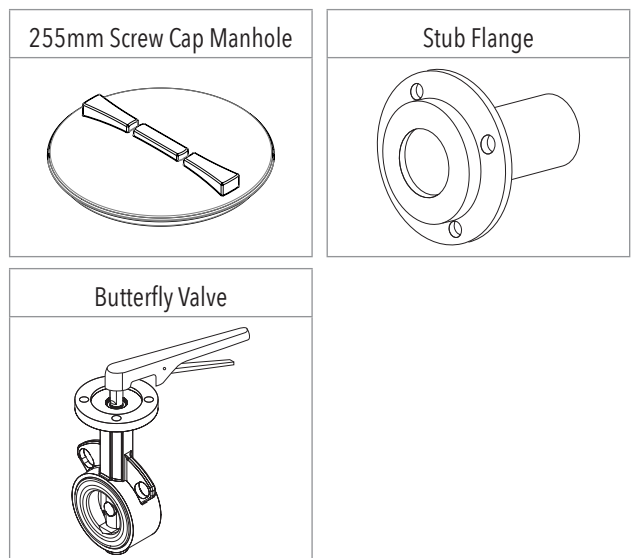
**PRODUCT CODE:
PTRNMO125**

125GAL / 570L MOLASSES TANK

FEATURES

- Specific Gravity of 1.6 (2.0 optional)
- Fully self supporting roof (no internal poles or frames)
- Manufactured from proven Australian standard materials (tested in the field for over 25 years)
- Manufactured in computerised ovens (not open flame)
- Thicker walls at base (supports pressure)
- Poly fused & welded fittings (stops fitting split)
- Australian made materials (not imported)

FREE INCLUSIONS¹



¹ Standard sizing of Butterfly Valve and Stub Flange 3", 4" and 6", other sizes available on request

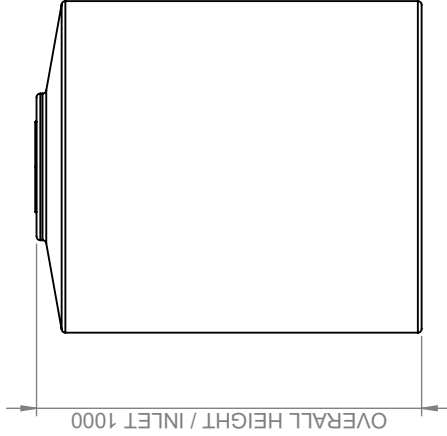
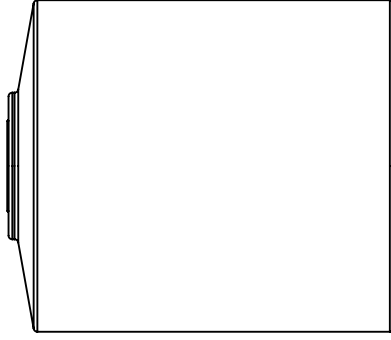
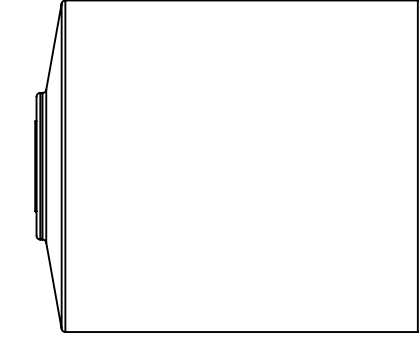
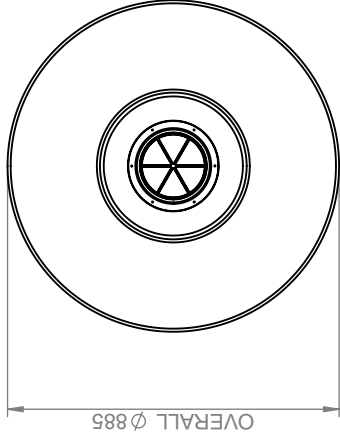
*Inclusions may change without notice, check with sales prior to ordering

COLOURS AVAILABLE



Black

NB: Colours may vary due to screen and printer calibrations.



Details

Manufacturer's Name	Nu-Tank Pty Ltd
Tank Capacity	125 Gallon
Maximum Specific Gravity	2.0
Maximum Design Service Temperature	23° c
Standard	AS/NZS 4766



PRODUCT CODE:

PTRNMO125

DESCRIPTION:

125GAL /565L MOLASSES TANK