

PRODUCT SHEET



DIAMETER	3170 MM
MAN HOLE HEIGHT	2075 MM
OVERALL HEIGHT	2320 MM

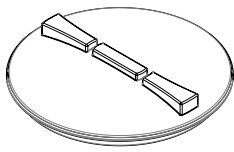
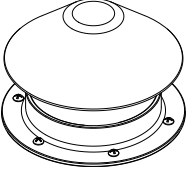
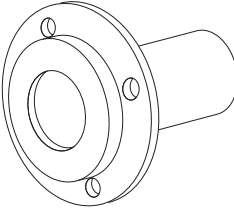
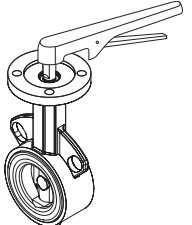
**PRODUCT CODE:
PTRNMO3300**

3,300GAL / 15,500L MOLASSES TANK

FEATURES

- Specific Gravity of 1.6 (2.0 optional)
- Fully self supporting roof (no internal poles or frames)
- Manufactured from proven Australian standard materials (tested in the field for over 25 years)
- Manufactured in computerised ovens (not open flame)
- Ribbed side walls (extra strength)
- Thicker walls at base (supports pressure)
- Poly fused & welded fittings (stops fitting split)
- Australian made materials (not imported)

FREE INCLUSIONS¹

355mm Screw Cap Manhole	Centre Vent
	
Stub Flange	Butterfly Valve
	

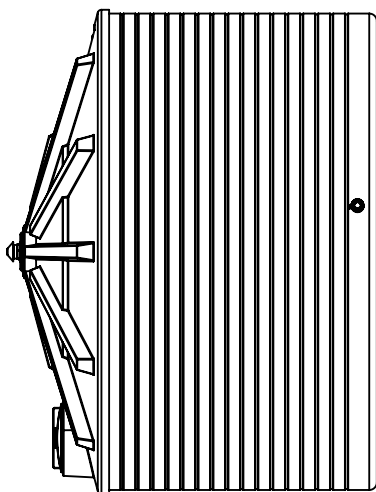
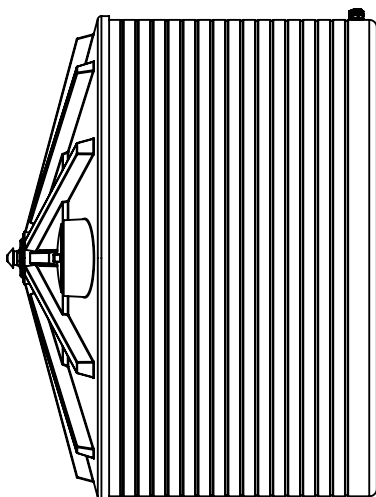
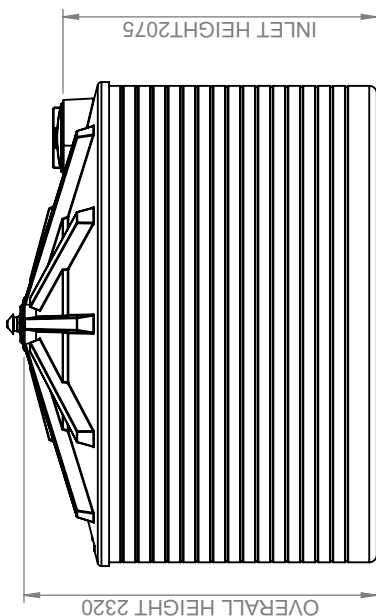
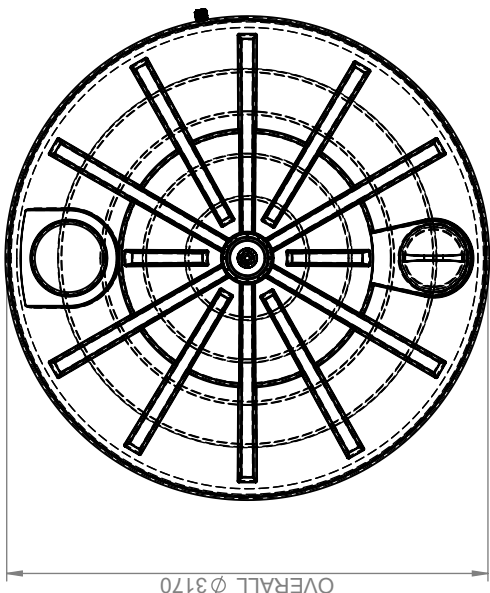
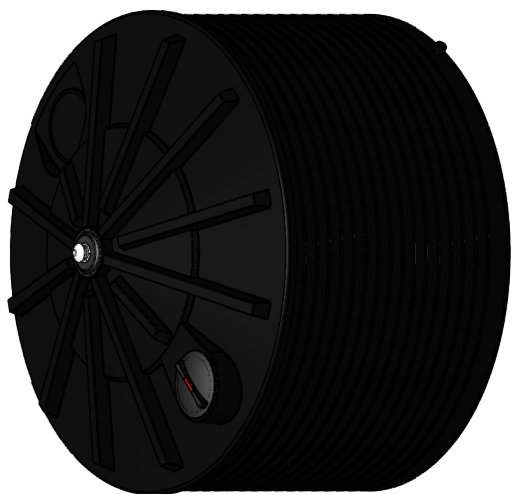
¹ Standard sizing of Butterfly Valve and Stub Flange 3", 4" and 6", other sizes available on request

*Inclusions may change without notice, check with sales prior to ordering

COLOURS AVAILABLE

Black

NB: Colours may vary due to screen and printer calibrations.



Details

Manufacturer's Name	Nu-Tank Pty Ltd
Tank Capacity	3300 Gallon
Maximum Specific Gravity	2.0
Maximum Design Service Temperature	23 °c
Standards	AS/NZS 4766



PRODUCT CODE:

PTRNMO3300

DESCRIPTION:

3,300 GALLON / 15,000 LITRE MOLASSES TANK